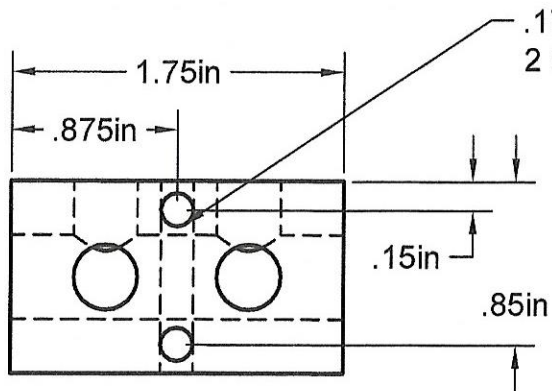
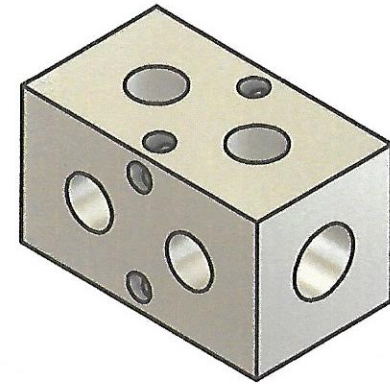
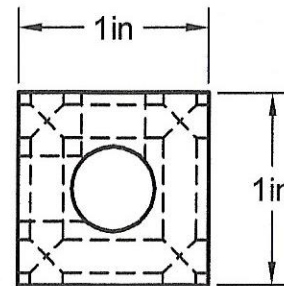


$\frac{1}{8}$ " NPT PORTS  
2 PORTS @ 90° @ .75 INCH CENTERS

$\frac{1}{4}$ " NPT INLET  
BOTH ENDS



.171 DIA MOUNTING HOLES  
2 SIDES



Part Number: MS0102-90

**A1 MANIFOLD SUPPLY**  
[www.a1manifolds.com](http://www.a1manifolds.com)  
 Email: [sales@a1manifolds.com](mailto:sales@a1manifolds.com)

Manifold Material: 6061-T6 Aluminum