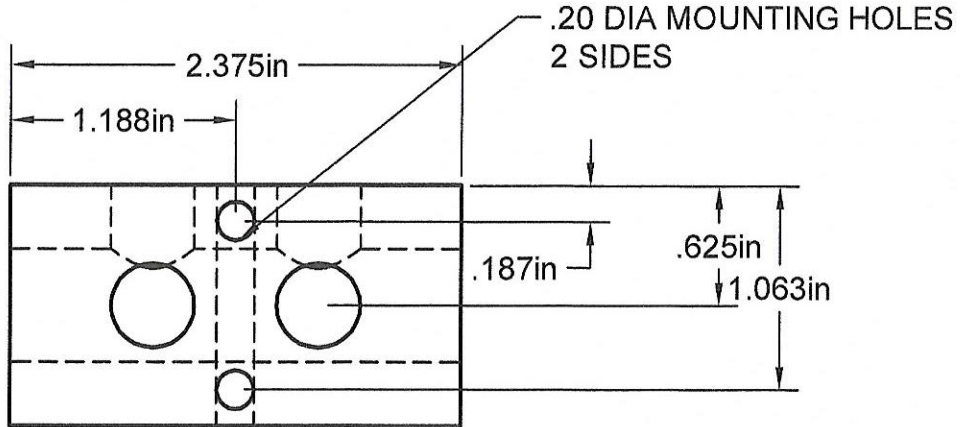
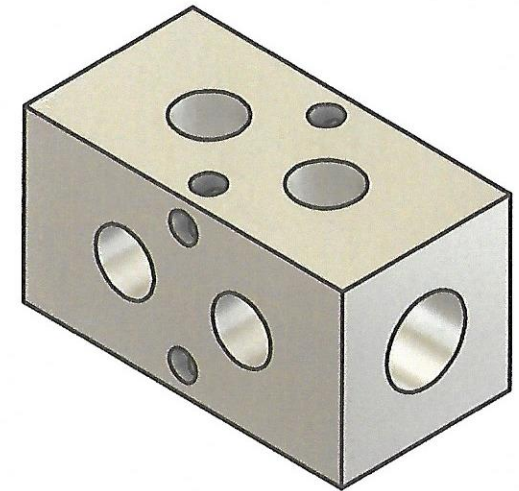
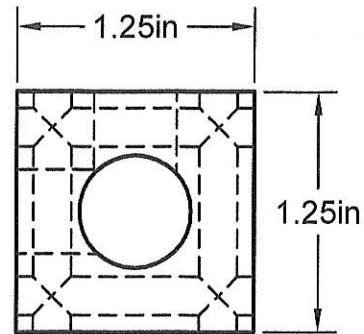


1" NPT PORTS  
2 PORTS @ 90° @ .875 CENTERS

3/8" NPT INLET  
BOTH ENDS



.20 DIA MOUNTING HOLES  
2 SIDES



Part Number: MS0302-90

**A1 MANIFOLD SUPPLY**  
[www.a1manifolds.com](http://www.a1manifolds.com)  
 Email: [sales@a1manifolds.com](mailto:sales@a1manifolds.com)

Manifold Material: 6061-T6 Aluminum