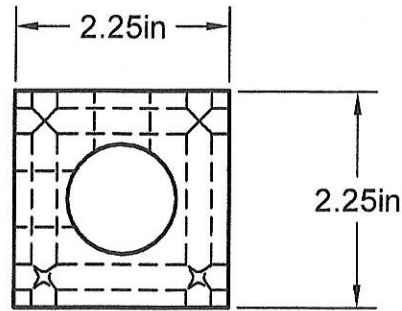
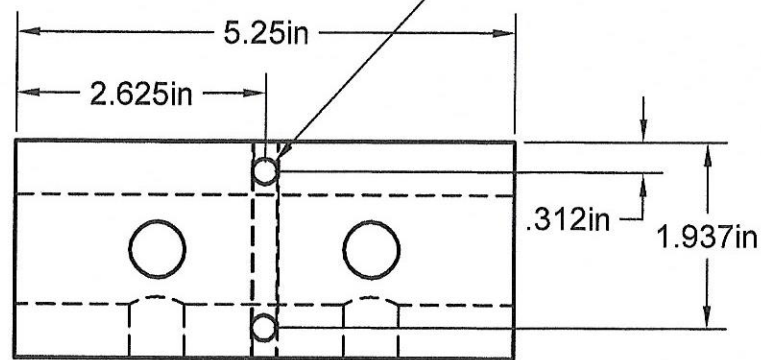
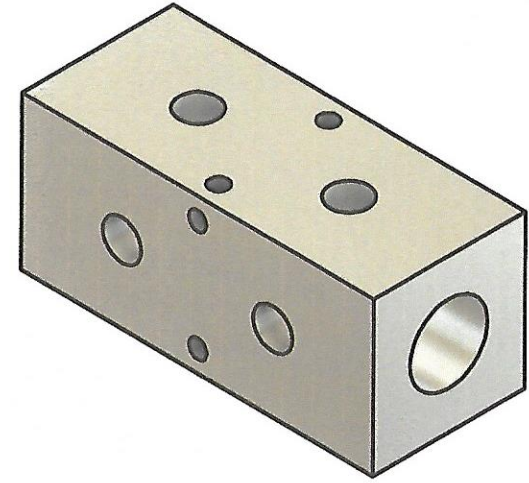


3/8" NPT PORTS
2 PORTS @ 90° @ 2.25 INCH CENTERS

1" NPT INLETS
BOTH ENDS

.265 DIA MOUNTING HOLES
2 SIDES



Part Number: MS1202-90

A1 MANIFOLD SUPPLY
www.a1manifolds.com
 Email: sales@a1manifolds.com

Manifold Material: 6061-T6 Aluminum