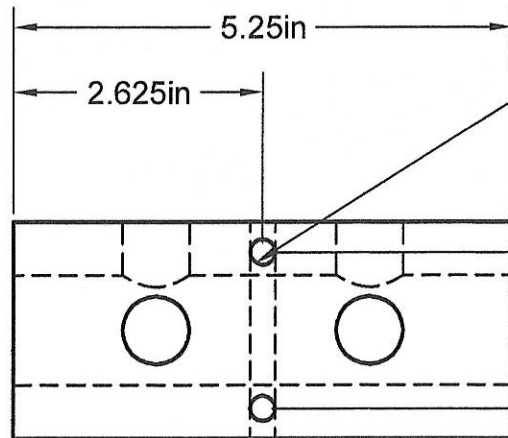
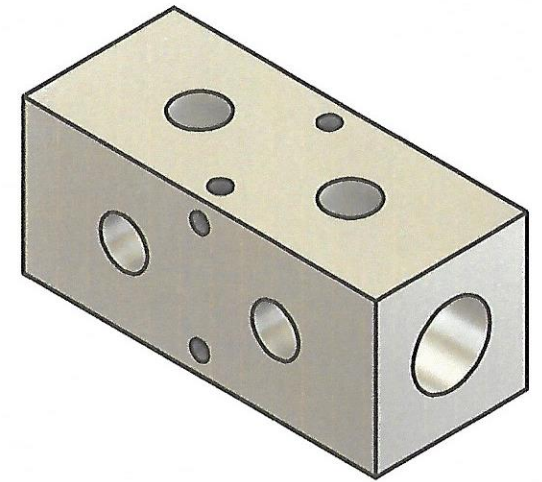
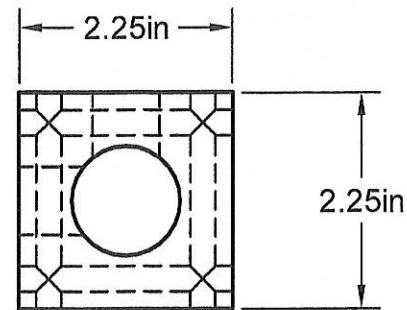


1/2" NPT PORTS
2 PORTS @ 90° @ 2.25 IN CENTERS

1" NPT INLETS
BOTH ENDS



.265 DIA MOUNTING HOLES
2 SIDES



Manifold Material: 6061-T6 Aluminum

Part Number: MS1302-90

A1 MANIFOLD SUPPLY
www.a1manifolds.com
 Email: sales@a1manifolds.com