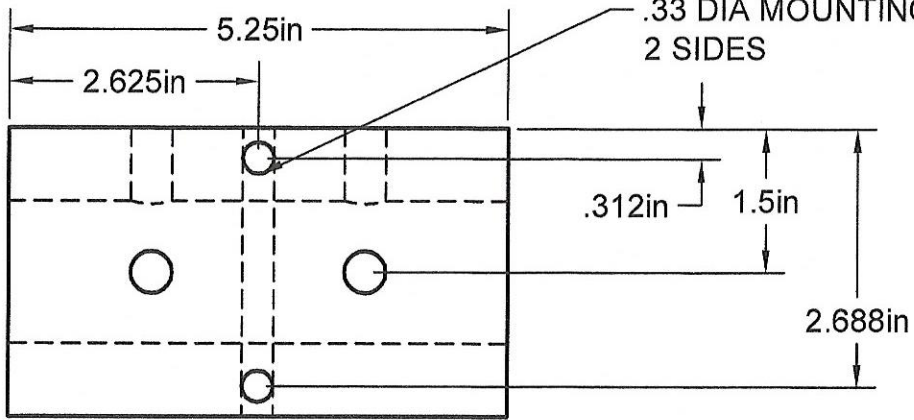
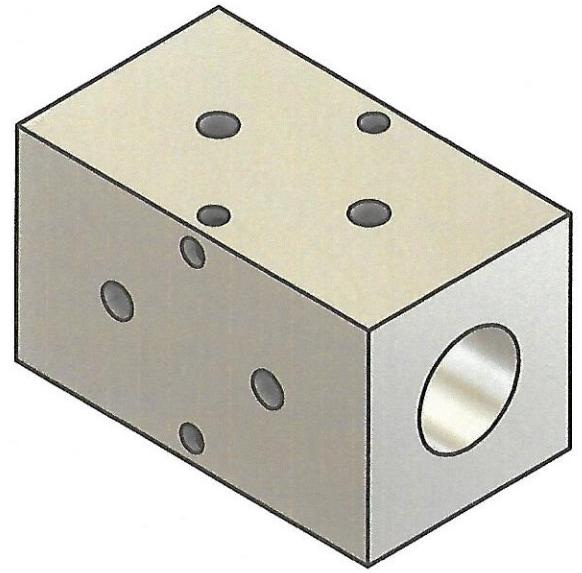
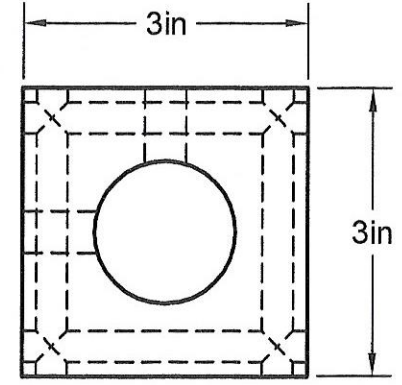


1/4" NPT PORTS  
2 PORTS @ 90° @ 2.25 IN CENTERS

1 1/4" NPT INLET  
BOTH ENDS



.33 DIA MOUNTING HOLES  
2 SIDES



Part Number: MS1502-90 |

**A1 MANIFOLD SUPPLY**  
www.a1manifolds.com

Email: sales@a1manifolds.com

Manifold Material: 6061-T6 Aluminum