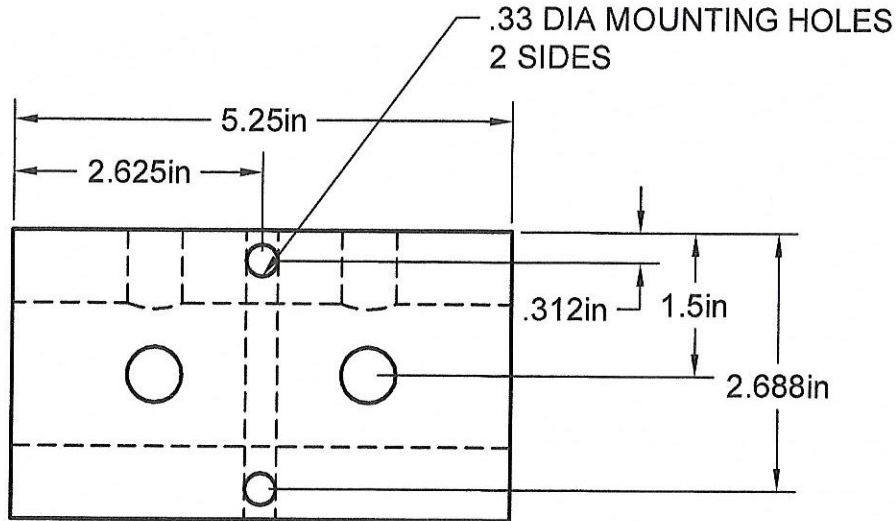
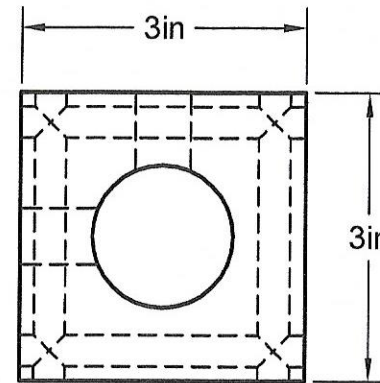
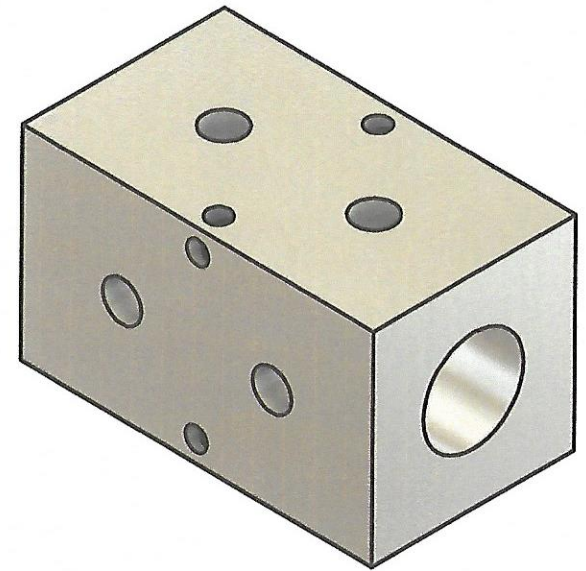


$\frac{3}{8}$ " NPT PORTS  
2 PORTS @ 90° @ 2.25 IN CENTERS

1  $\frac{1}{4}$ " NPT INLET  
BOTH ENDS



.33 DIA MOUNTING HOLES  
2 SIDES

Manifold Material: 6061-T6 Aluminum

Part Number: MS1602-90

**A1 MANIFOLD SUPPLY**  
[www.a1manifolds.com](http://www.a1manifolds.com)  
 Email: [sales@a1manifolds.com](mailto:sales@a1manifolds.com)