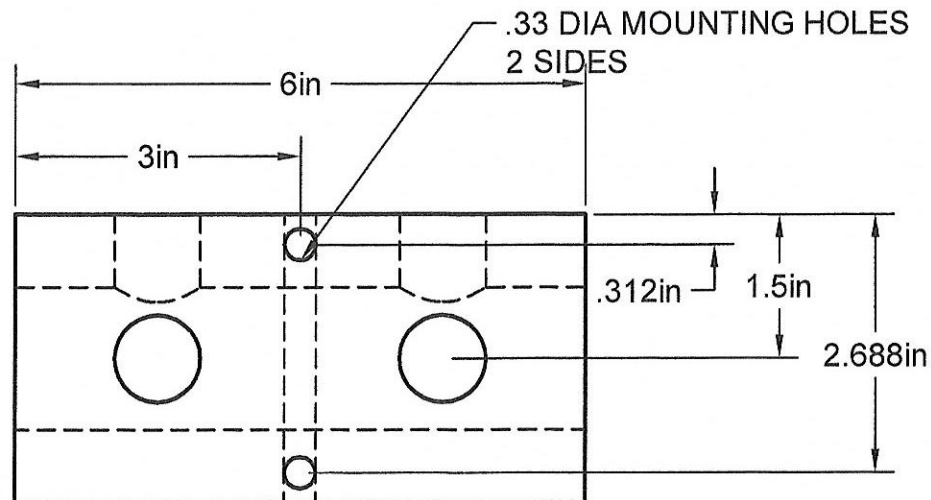
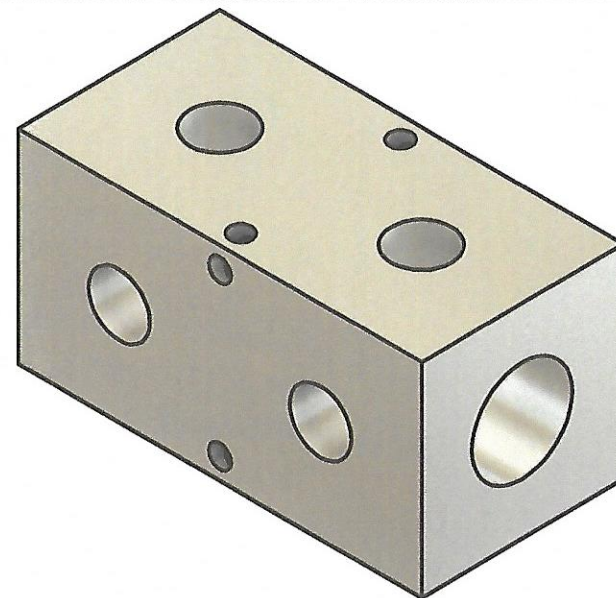
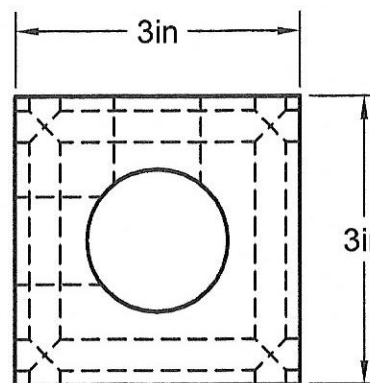


3/4" NPT PORTS
2 PORTS @ 90° @ 3 IN CENTERS

1 1/4" NPT INLET
BOTH ENDS



.33 DIA MOUNTING HOLES
2 SIDES



Part Number:

MS1802-90

**A1 MANIFOLD
SUPPLY**
www.a1manifolds.com

Email: sales@a1manifolds.com

Manifold Material: 6061-T6 Aluminum