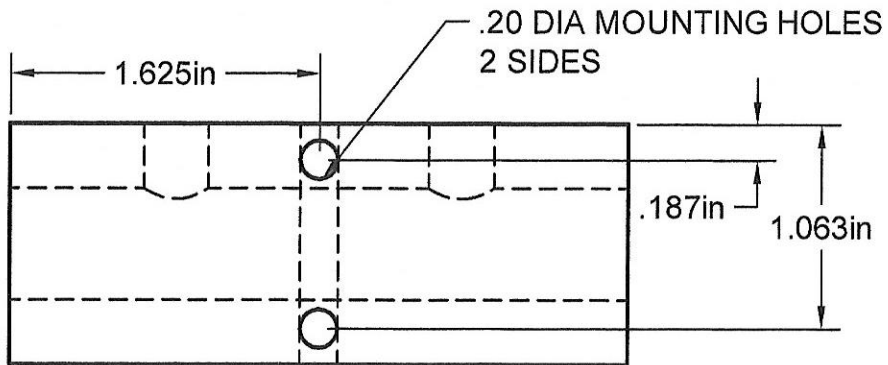
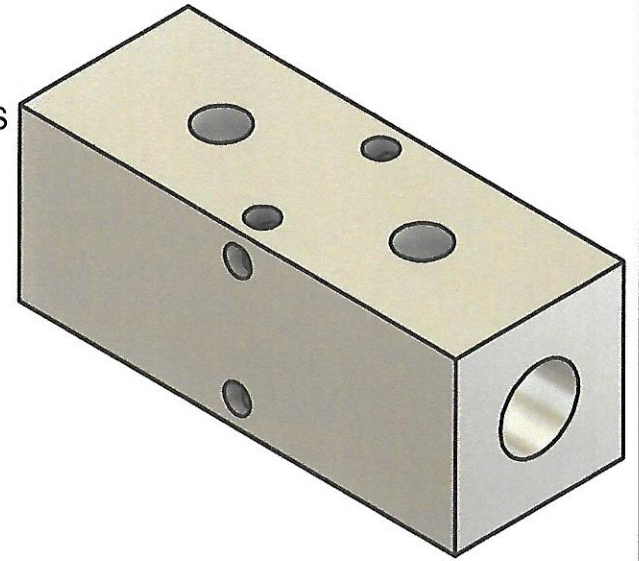
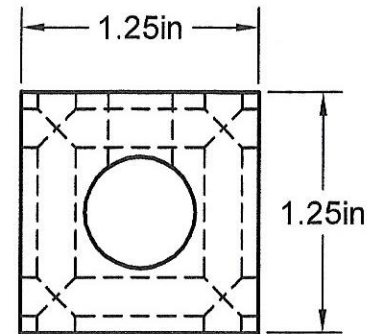


1/8" NPT PORTS
2 PORTS @ 1.5 IN CENTERS

3/8" NPT INLETS
BOTH ENDS



.20 DIA MOUNTING HOLES
2 SIDES



Part Number: MS0702

**A1 MANIFOLD
SUPPLY**
www.a1manifolds.com

Email: sales@a1manifolds.com

Manifold Material: 6061-T6 Aluminum