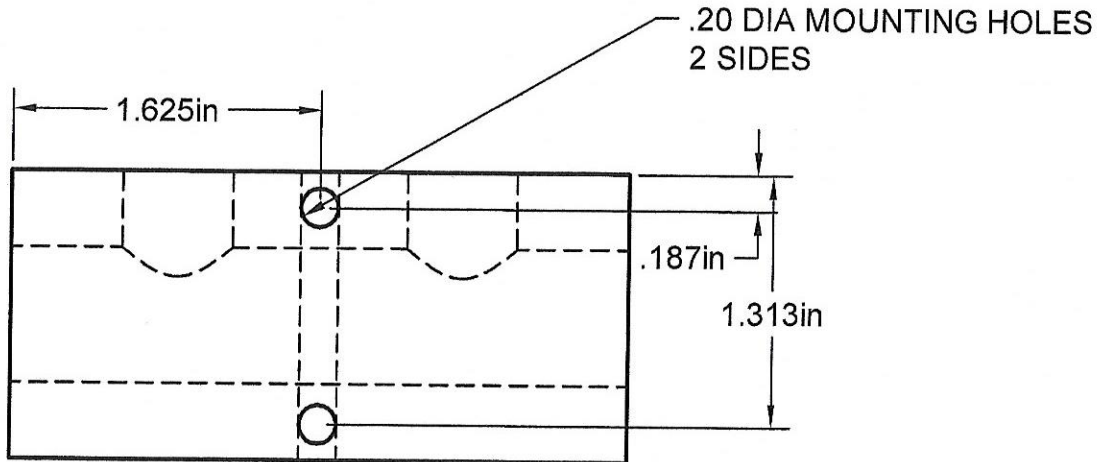
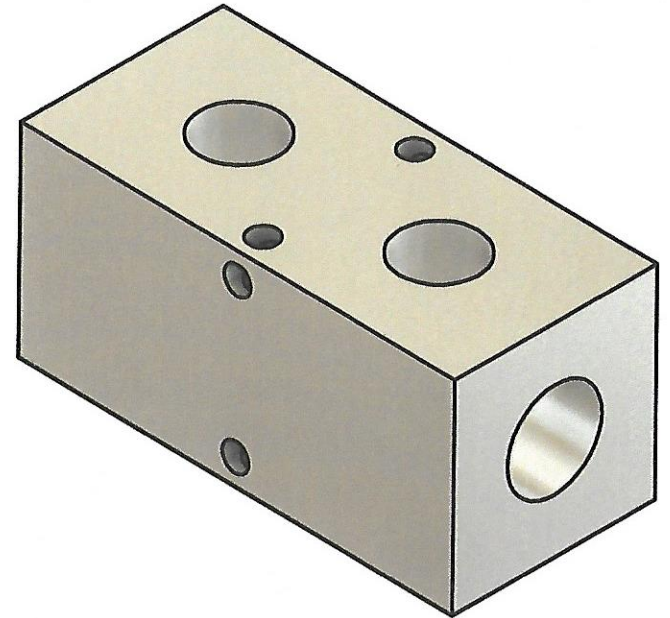


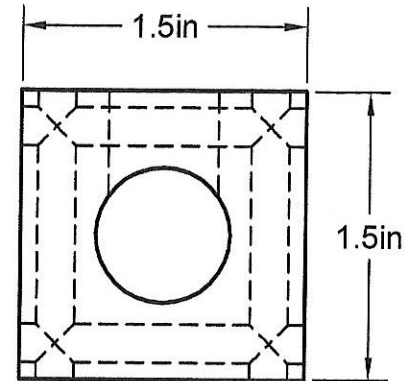
$\frac{3}{8}$ " NPT PORTS
2 PORTS @ 1.5 IN CENTERS

.75in

$\frac{1}{2}$ " NPT INLETS
BOTH ENDS



.20 DIA MOUNTING HOLES
2 SIDES



Part Number: MS1002

A1 MANIFOLD SUPPLY
www.a1manifolds.com

Email: sales@a1manifolds.com

Manifold Material: 6061-T6 Aluminum