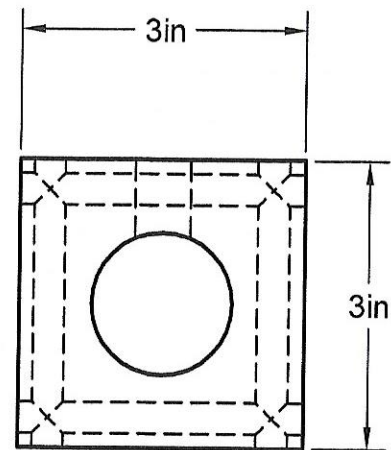
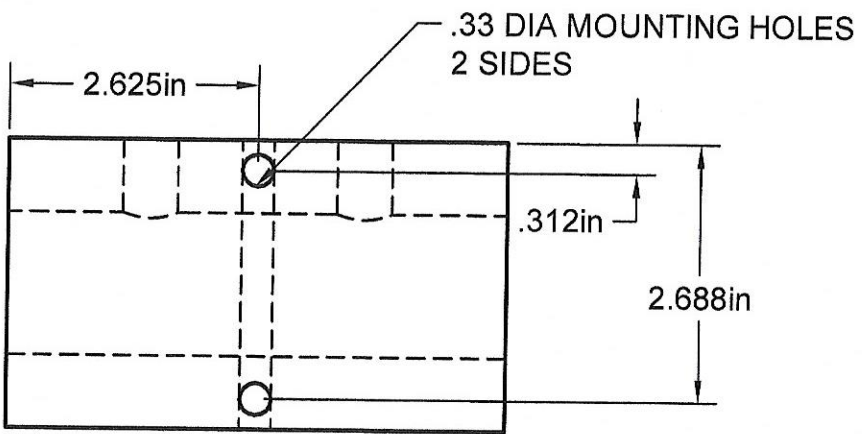
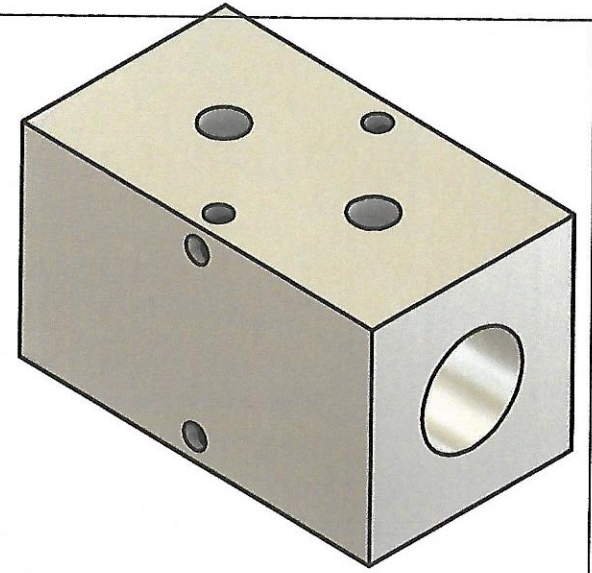


$\frac{3}{8}$ " NPT PORTS
2 PORTS @ 2.25 IN CENTERS

1 $\frac{1}{4}$ " NPT INLETS
BOTH ENDS



Part Number: MS1602

A1 MANIFOLD SUPPLY
www.a1manifolds.com
 Email: sales@a1manifolds.com

Manifold Material: 6061-T6 Aluminum