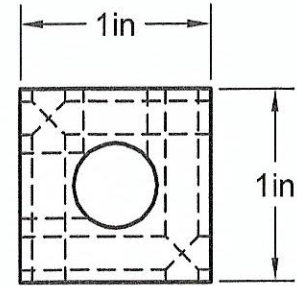
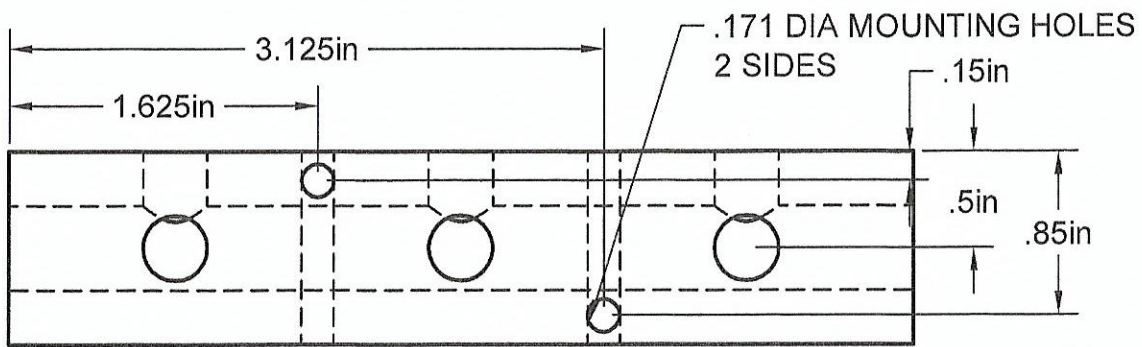
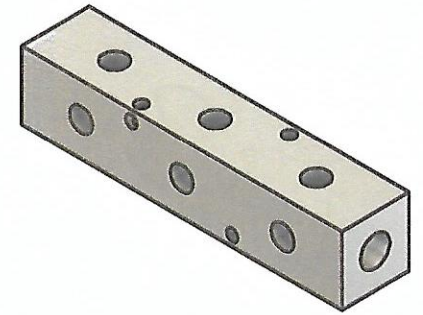


$\frac{1}{8}$ " NPT PORTS
3 PORTS @ 90° @
1.50 IN CENTERS

$\frac{1}{4}$ " NPT INLET
BOTH ENDS



Manifold Material: 6061-T6 Aluminum

Part Number: MS0603-90

**MANIFOLD
SUPPLY**
www.a1manifolds.com
Email: sales@a1manifolds.com