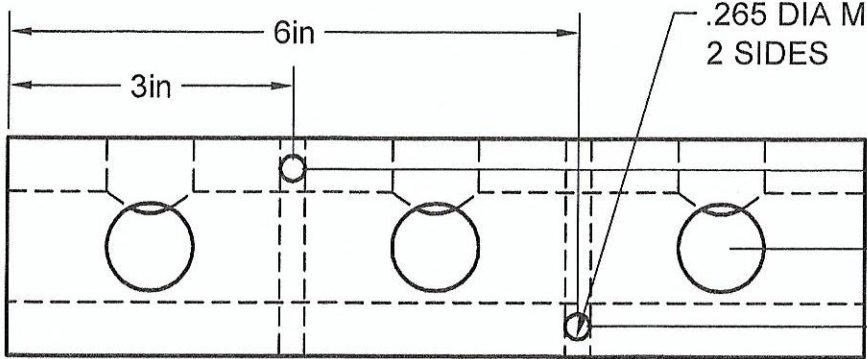
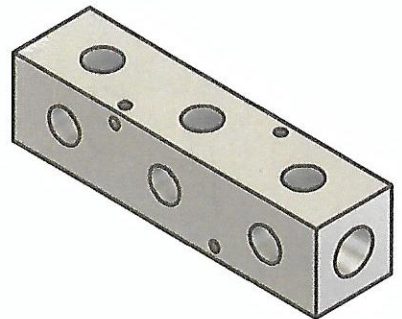


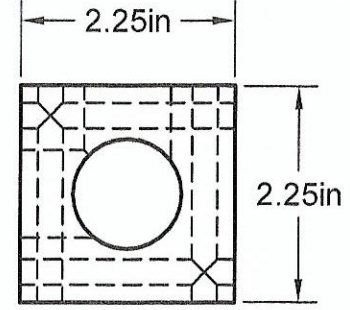
3/4" NPT PORTS  
 3 PORTS @ 90° @  
 3 IN CENTERS

1" NPT INLET  
 BOTH ENDS



.265 DIA MOUNTING HOLES  
 2 SIDES

.312in  
 1.125in  
 1.938in



Manifold Material: 6061-T6 Aluminum

Part Number: MS1403-90

**MANIFOLD  
 SUPPLY**  
[www.a1manifolds.com](http://www.a1manifolds.com)  
 Email: sales@a1manifolds.com