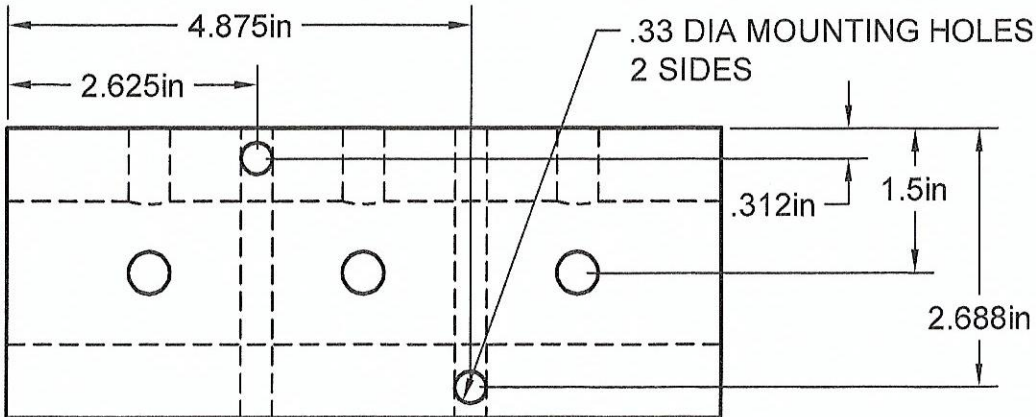
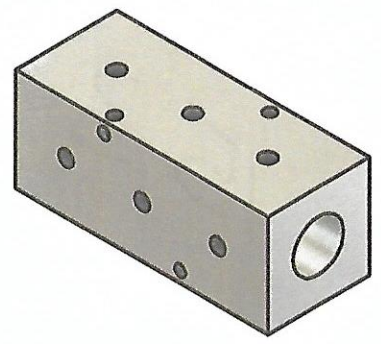
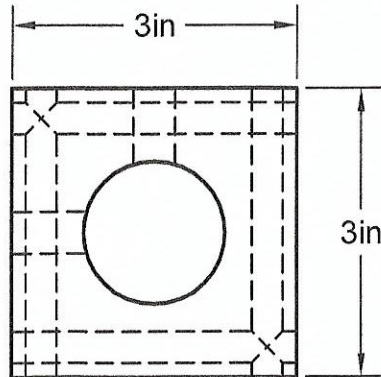


1/4" NPT PORTS  
3 PORTS @ 90° @ 2.25 IN CENTERS

1 1/4" NPT INLET  
BOTH ENDS



.33 DIA MOUNTING HOLES  
2 SIDES



Manifold Material: 6061-T6 Aluminum

Part Number: MS1503-90

**MANIFOLD  
SUPPLY**  
www.a1manifolds.com  
Email: sales@a1manifolds.com