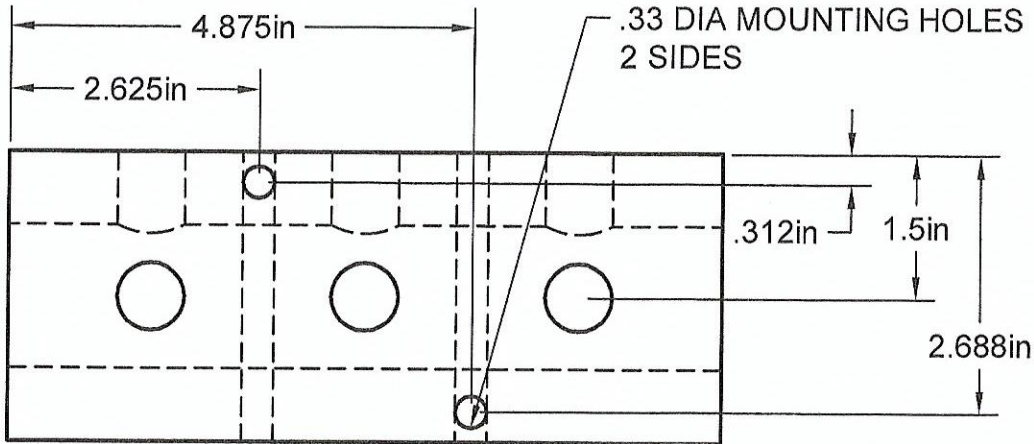
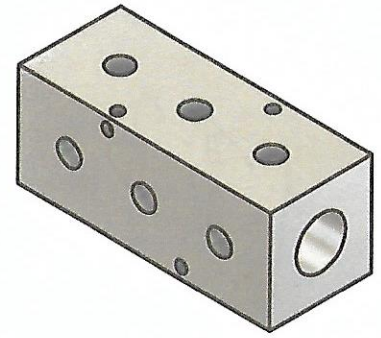
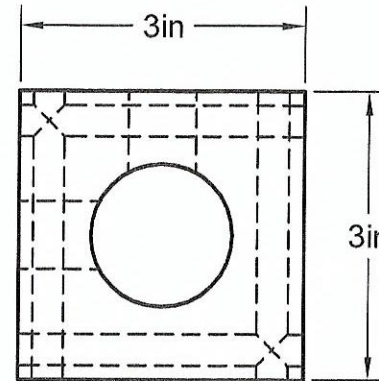


1/2" NPT PORTS
3 PORTS @ 90° @
2.25 IN CENTERS

1 1/4" NPT INLET
BOTH ENDS



.33 DIA MOUNTING HOLES
2 SIDES



Manifold Material: 6061-T6 Aluminum

Part Number:

MS1703-90

**A1 MANIFOLD
SUPPLY**
www.a1manifolds.com

Email: sales@a1manifolds.com