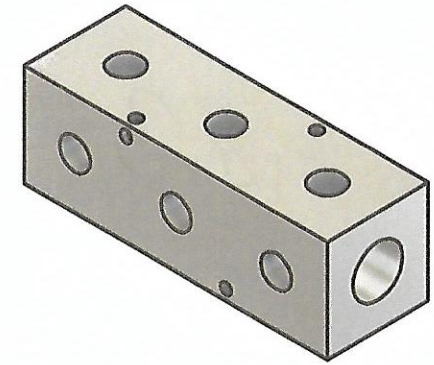
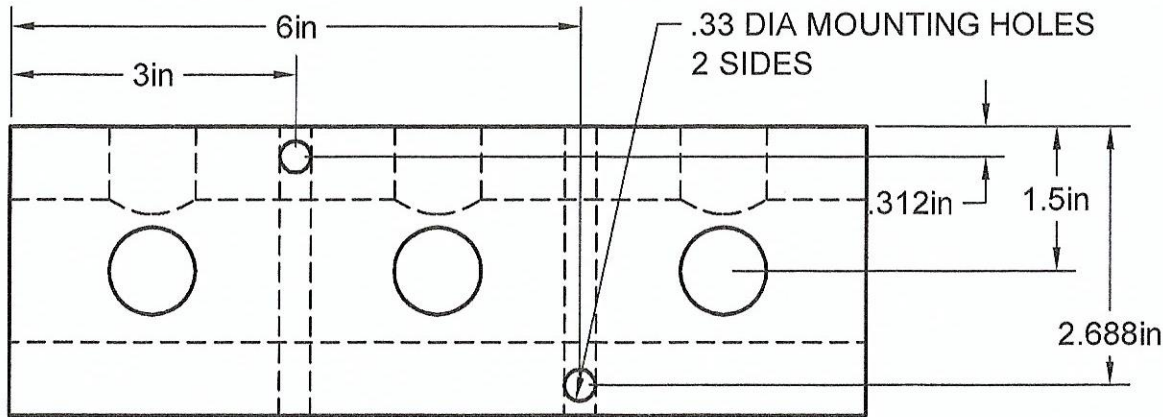


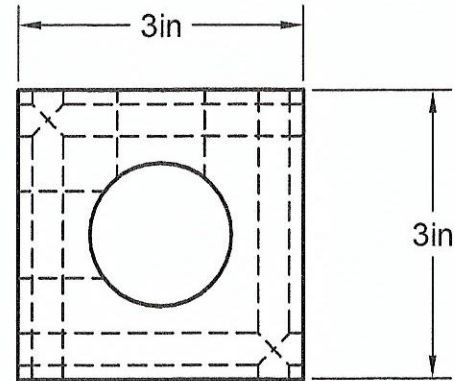
$\frac{3}{4}$ NPT PORTS
 3 PORTS @ 90° @
 3 IN CENTERS



1.5in
 1 $\frac{1}{4}$ " NPT INLET
 BOTH ENDS



.33 DIA MOUNTING HOLES
 2 SIDES



Manifold Material: 6061-T6 Aluminum

Part Number: MS1803-90

www.a1manifolds.com
 Email: sales@a1manifolds.com