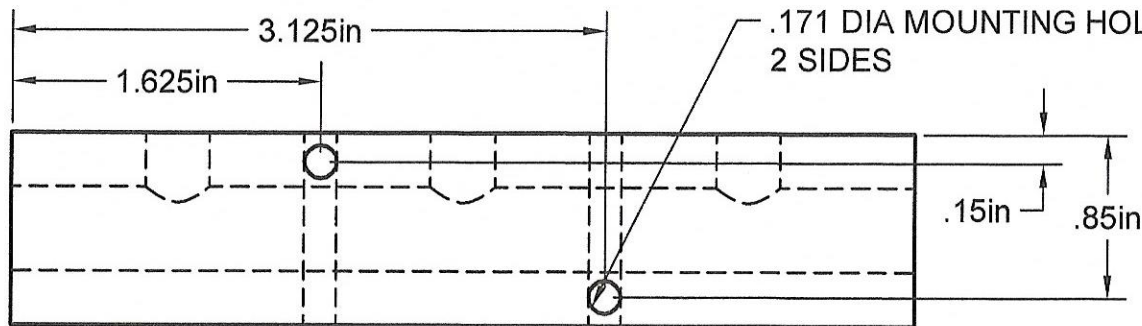
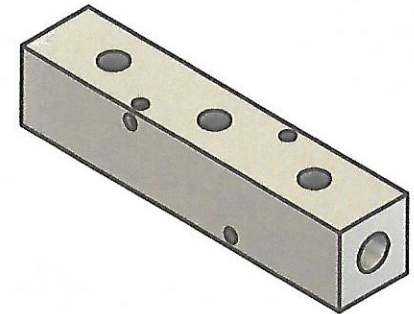
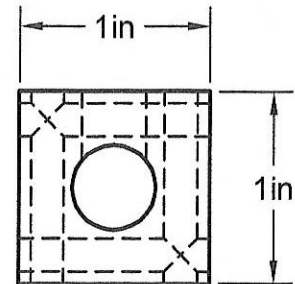


$\frac{1}{8}$ " NPT PORTS
3 PORTS @ 1.50 IN CENTERS

$\frac{1}{4}$ " NPT INLET
BOTH ENDS



.171 DIA MOUNTING HOLES
2 SIDES



Manifold Material: 6061-T6 Aluminum

Part Number: MS0603

A1 MANIFOLD SUPPLY
www.a1manifolds.com
 Email: sales@a1manifolds.com