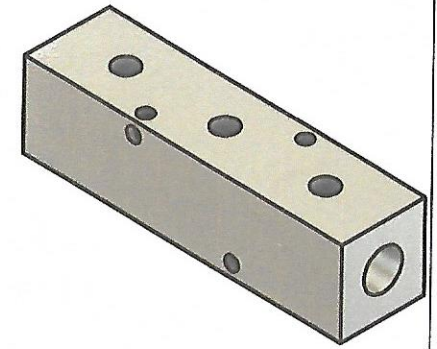
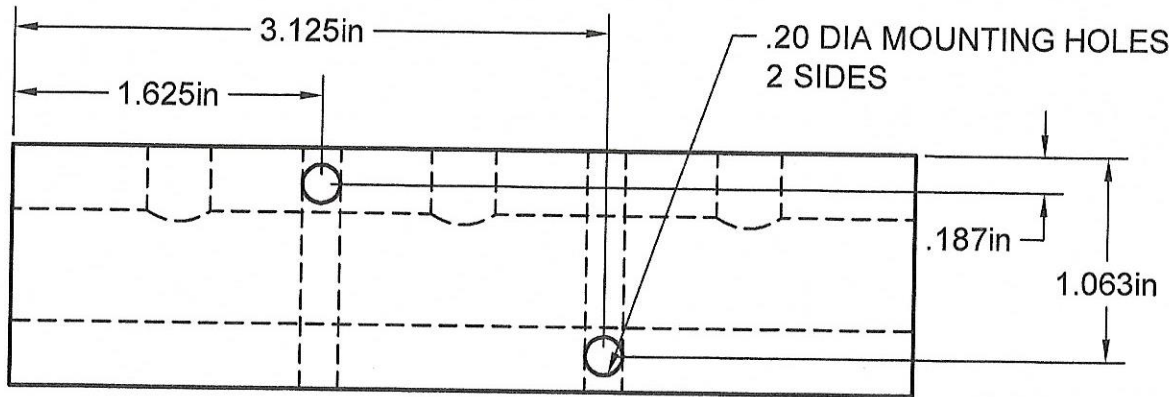


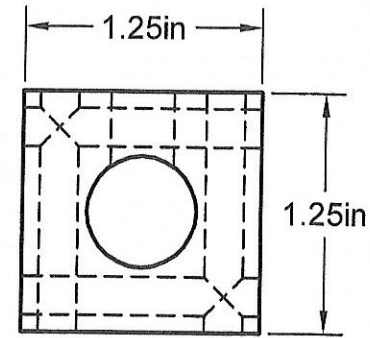
1/8" NPT PORTS  
3 PORTS @ 1.50 IN CENTERS



3/8" NPT INLET  
BOTH ENDS



.20 DIA MOUNTING HOLES  
2 SIDES



Manifold Material: 6061-T6 Aluminum

Part Number: MS0703

**A1 MANIFOLD SUPPLY**  
[www.a1manifolds.com](http://www.a1manifolds.com)  
 Email: sales@a1manifolds.com