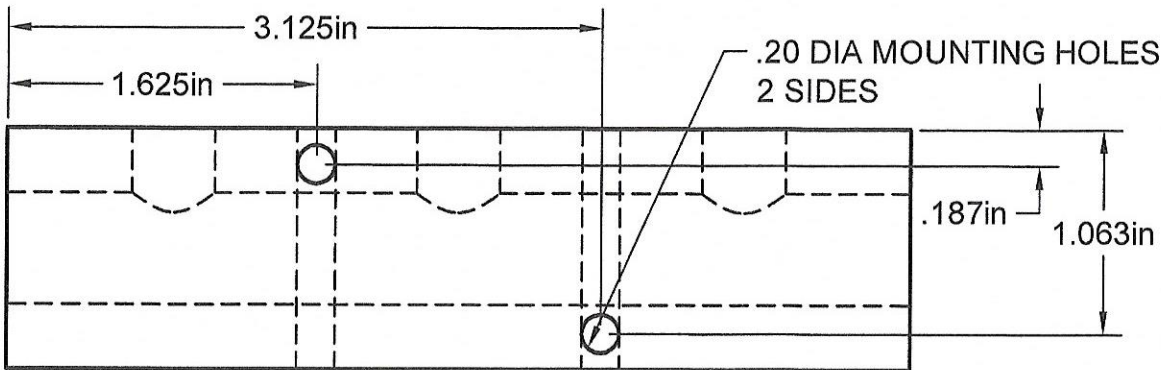
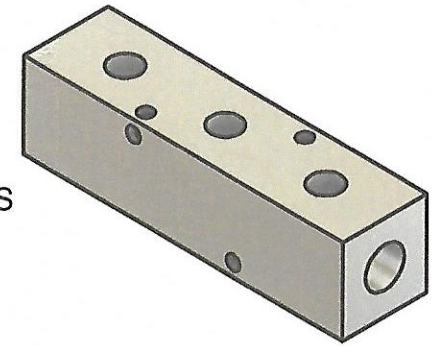
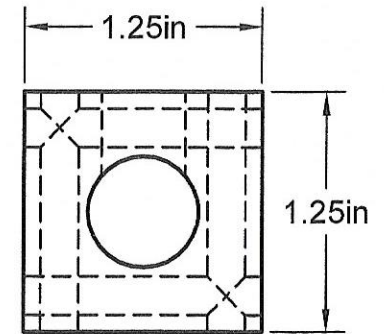


1/4" NPT PORTS
3 PORTS @ 1.50 IN CENTERS

3/8" NPT INLET
BOTH ENDS



.20 DIA MOUNTING HOLES
2 SIDES



Part Number:

MS0803

A1 MANIFOLD SUPPLY
www.a1manifolds.com

Email: sales@a1manifolds.com

Manifold Material: 6061-T6 Aluminum