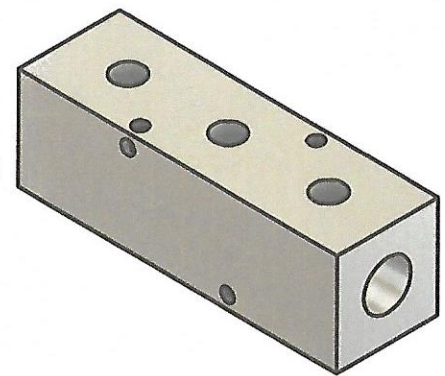
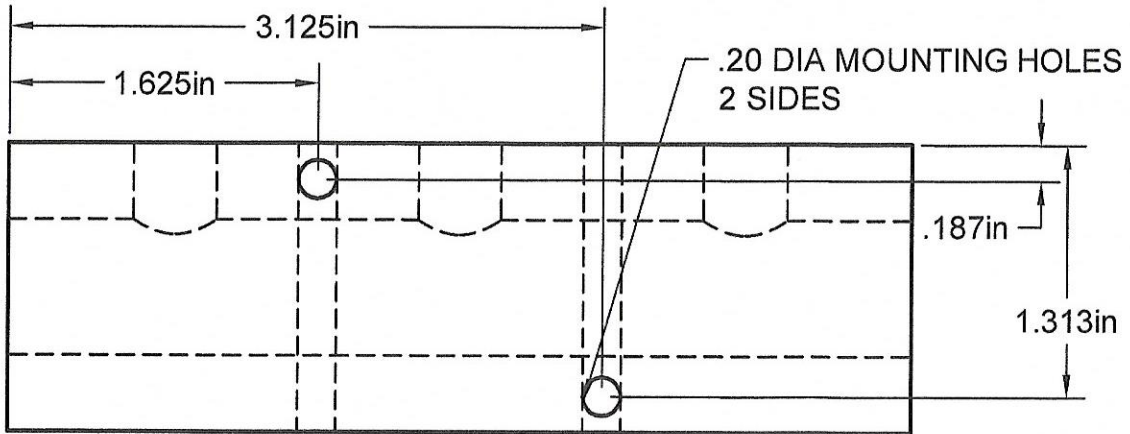


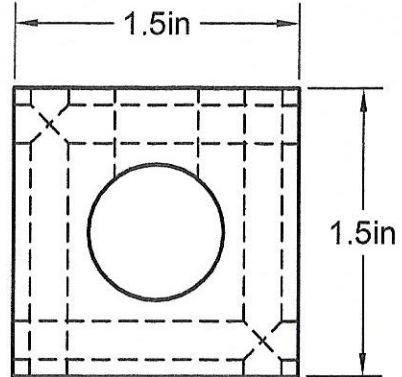
1/4" NPT PORTS
3 PORTS @ 1.50 IN CENTERS



1/2" NPT INLET
BOTH ENDS



.20 DIA MOUNTING HOLES
2 SIDES



Manifold Material: 6061-T6 Aluminum

Part Number: MS0903

**MANIFOLD
SUPPLY**
www.a1manifolds.com
Email: sales@a1manifolds.com