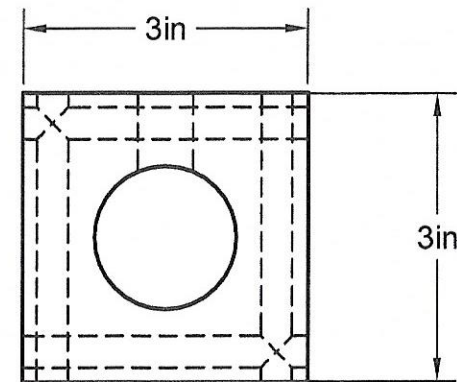
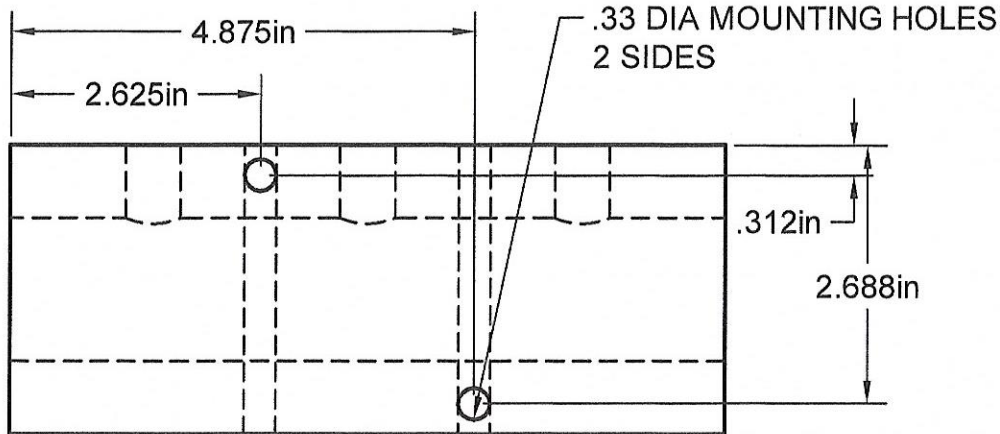
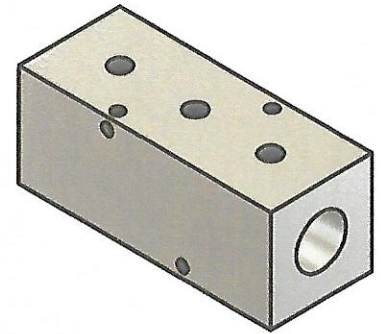


3/8" NPT PORTS
3 PORTS @ 2.25 INCENTERS

1 1/4" NPT INLET
BOTH ENDS



Part Number: MS1603

A1 MANIFOLD SUPPLY
www.a1manifolds.com
 Email: sales@a1manifolds.com

Manifold Material: 6061-T6 Aluminum