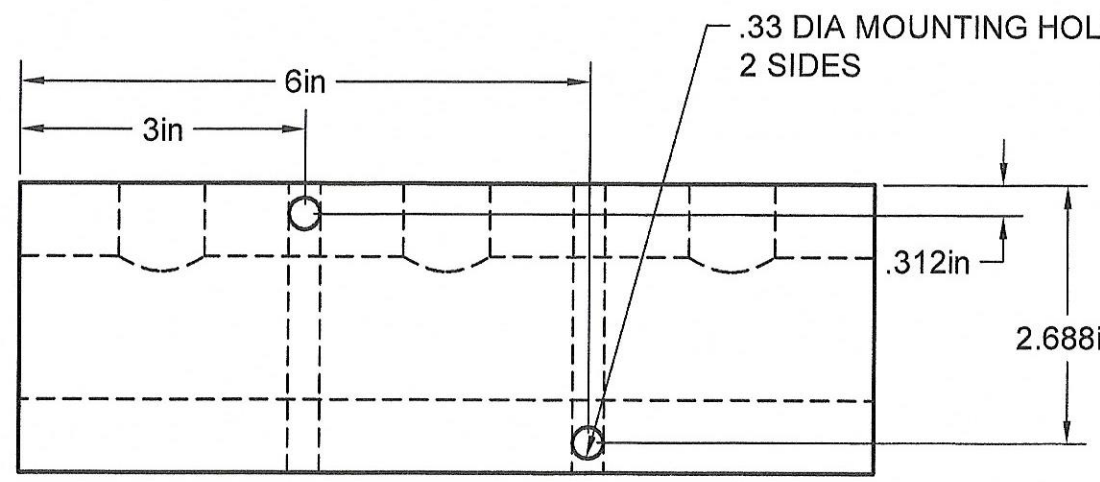
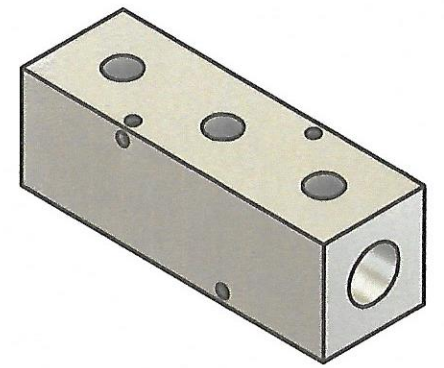


3/4" NPT PORTS
3 PORTS @ 3 IN CENTERS

1.5in

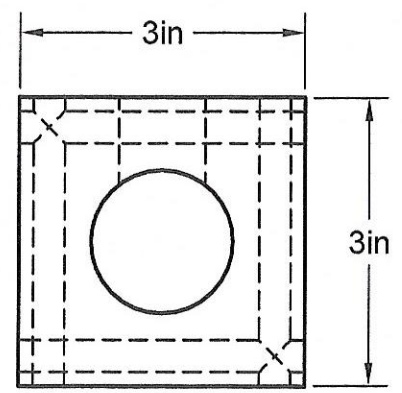
1 1/4" NPT INLET
BOTH ENDS



.33 DIA MOUNTING HOLES
2 SIDES

2.688in

.312in



Manifold Material: 6061-T6 Aluminum

Part Number: **MS1803**



www.a1manifolds.com
Email: sales@a1manifolds.com