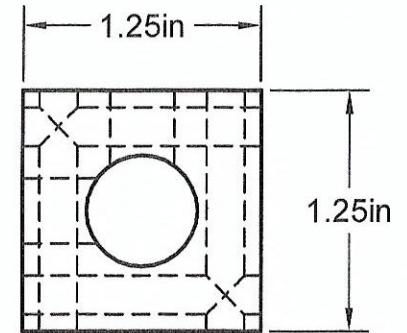
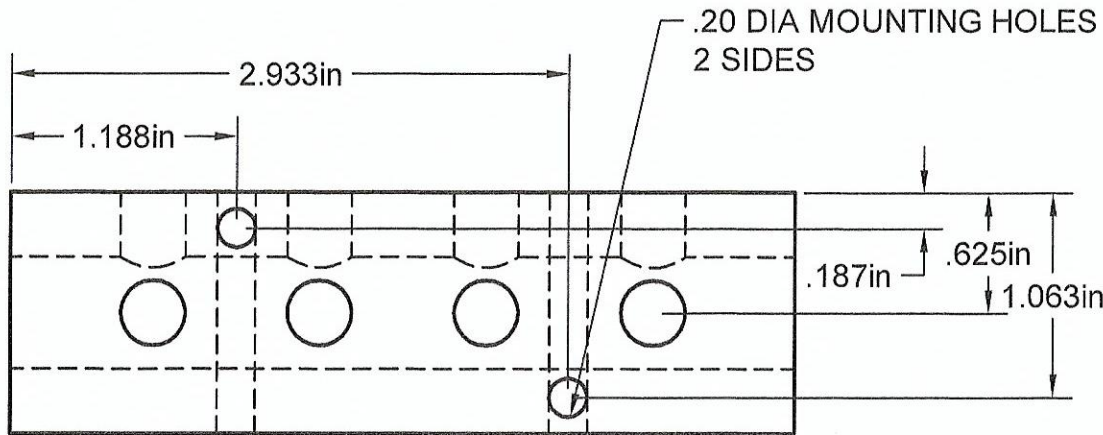
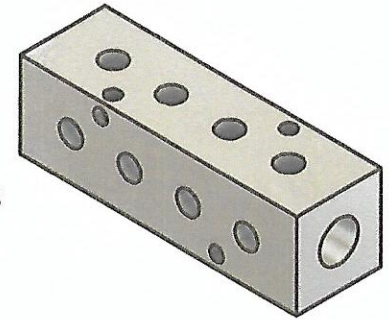


$\frac{1}{8}$ " NPT PORTS  
4 PORTS @ 90° @ .875 INCENTERS

.625in

$\frac{3}{8}$ " NPT INLET  
BOTH ENDS



Part Number: MS0204-90

**A1 MANIFOLD SUPPLY**  
www.a1manifolds.com

Email: sales@a1manifolds.com

Manifold Material: 6061-T6 Aluminum