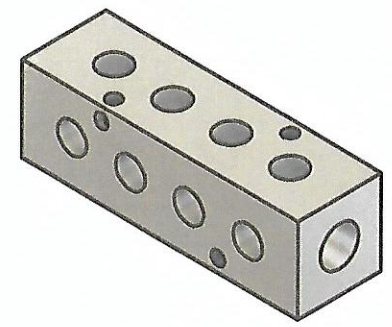
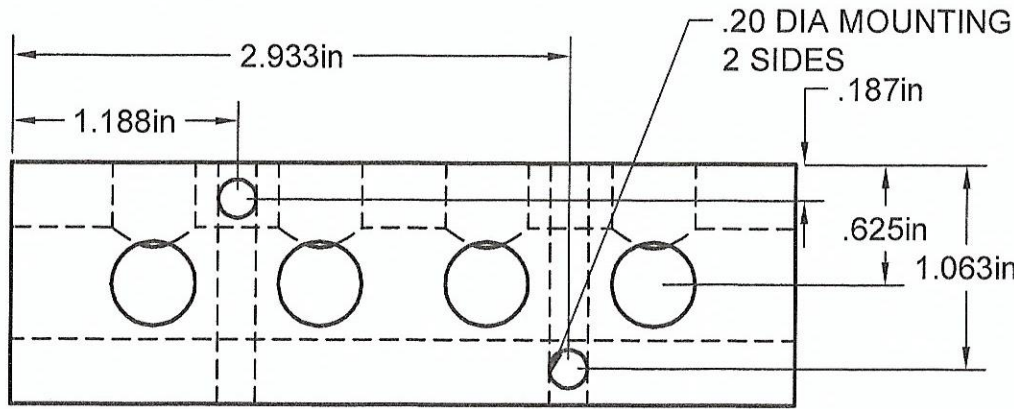


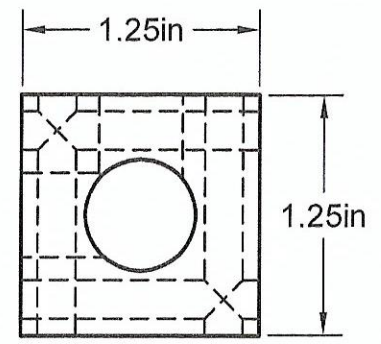
1/4" NPT PORTS  
4 PORTS @ 90° @ .875 IN CENTERS



3/8" NPT INLET  
BOTH ENDS



.20 DIA MOUNTING HOLES  
2 SIDES



Part Number: MS0304-90



Email: sales@a1manifolds.com

Manifold Material: 6061-T6 Aluminum