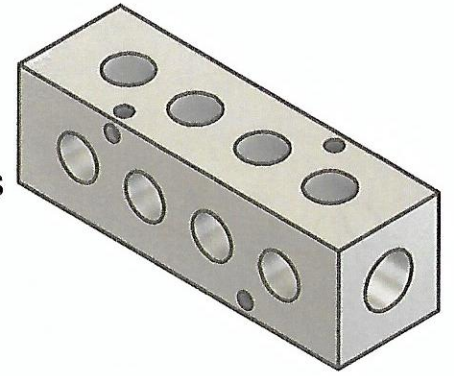
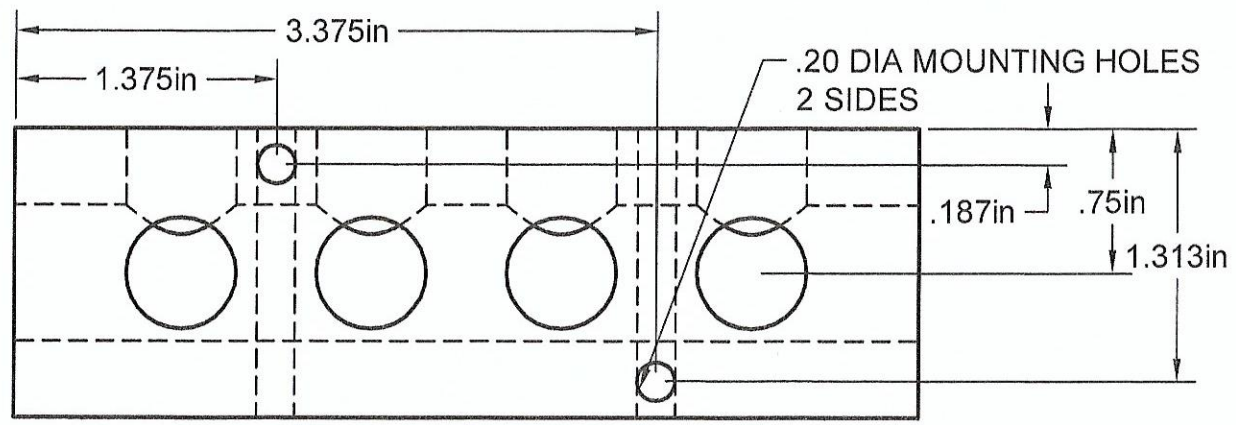
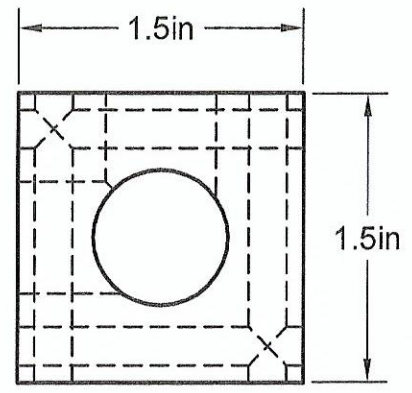


$\frac{3}{8}$ " NPT PORTS  
4 PORTS @ 90° @ 1 IN CENTERS



$\frac{1}{2}$ " NPT INLET  
BOTH ENDS



.20 DIA MOUNTING HOLES  
2 SIDES

Part Number: MS0504-90

**MANIFOLD  
SUPPLY**  
www.a1manifolds.com  
Email: sales@a1manifolds.com

Manifold Material: 6061-T6 Aluminum