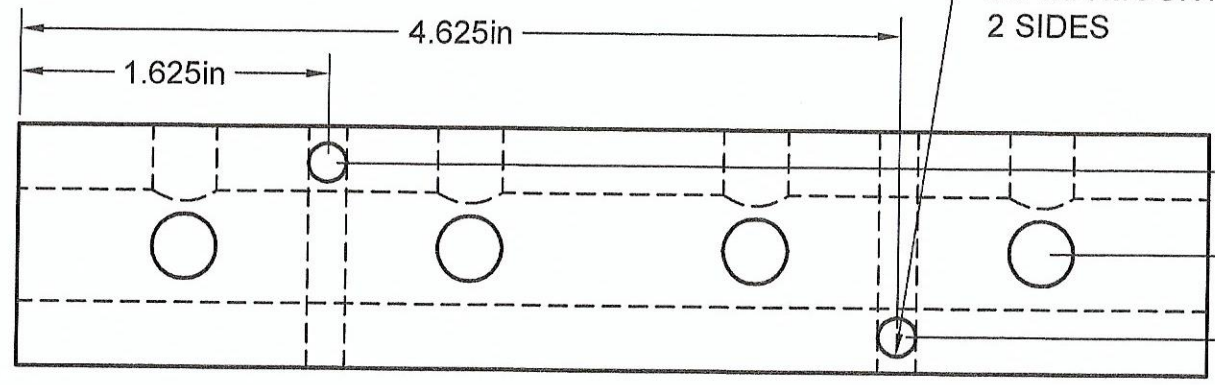


1/8" NPT PORTS
4 PORTS @ 90° @
1.50 IN CENTERS

.625in

3/8" NPT INLET
BOTH ENDS

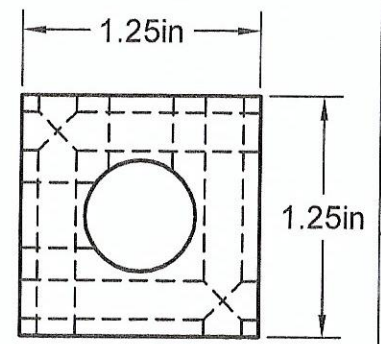


.20 DIA MOUNTING HOLES
2 SIDES

.187in

.625in

1.063in



Manifold Material: 6061-T6 Aluminum

Part Number: MS0704-90

**MANIFOLD
SUPPLY**
www.a1manifolds.com
Email: sales@a1manifolds.com