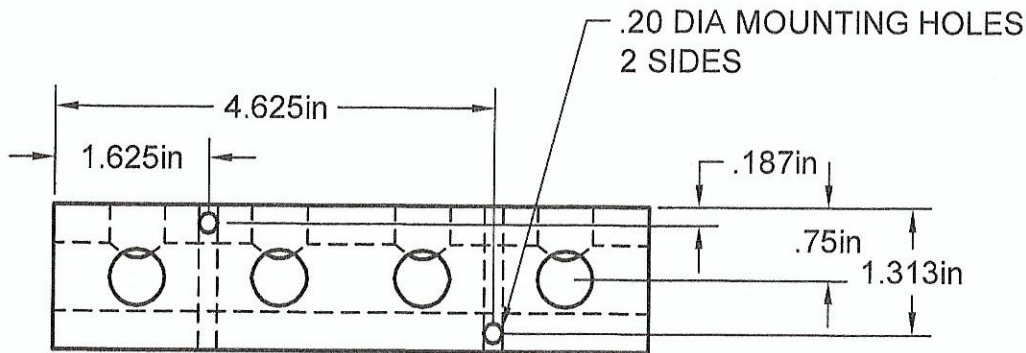
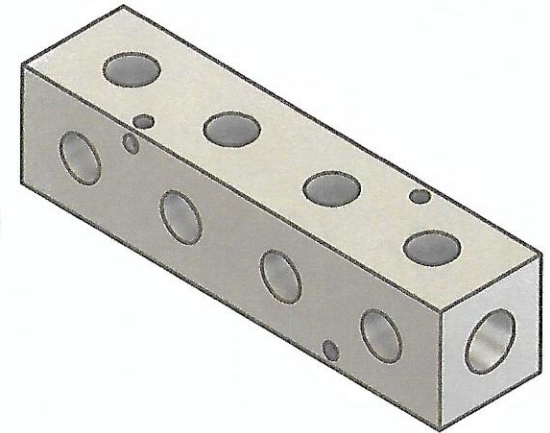
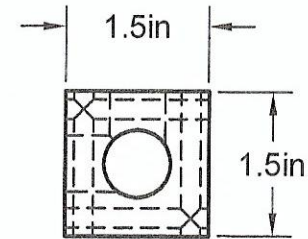


$\frac{3}{8}$ " NPT PORTS
4 PORTS @ 90° @ 1.50 IN CENTERS

$\frac{1}{2}$ " NPT INLET
BOTH ENDS



.20 DIA MOUNTING HOLES
2 SIDES



Part Number: MS1004-90

A1 MANIFOLD SUPPLY
www.a1manifolds.com
 Email: sales@a1manifolds.com

Manifold Material: 6061-T6 Aluminum