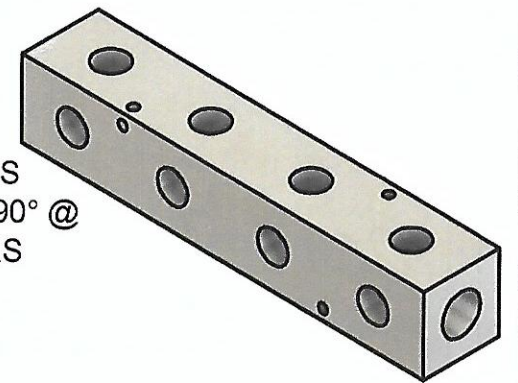
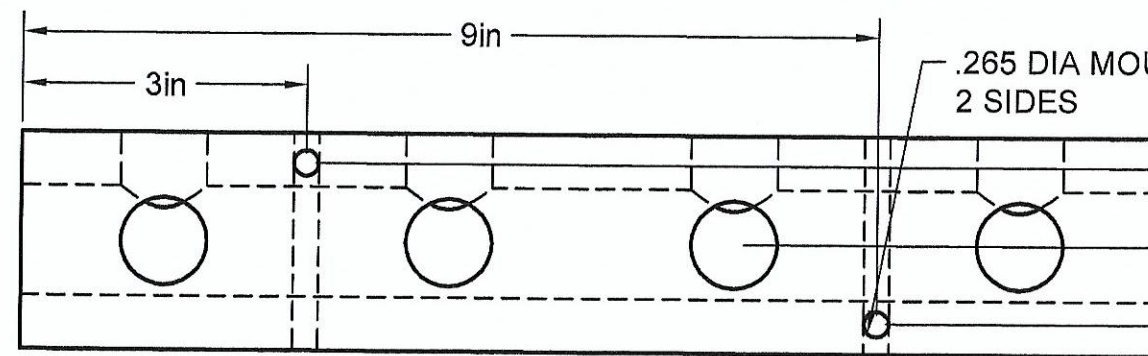


3/4" NPT PORTS
 4 PORTS @ 90° @
 3 IN CENTERS

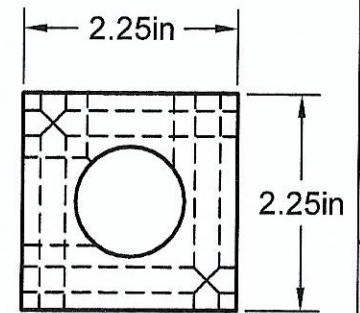


1" NPT INLET
 BOTH ENDS



.265 DIA MOUNTING HOLES
 2 SIDES

.312in
 1.125in
 1.938in



Manifold Material: 6061-T6 Aluminum

Part Number: MS1404-90

**MANIFOLD
 SUPPLY**
www.a1manifolds.com
 Email: sales@a1manifolds.com