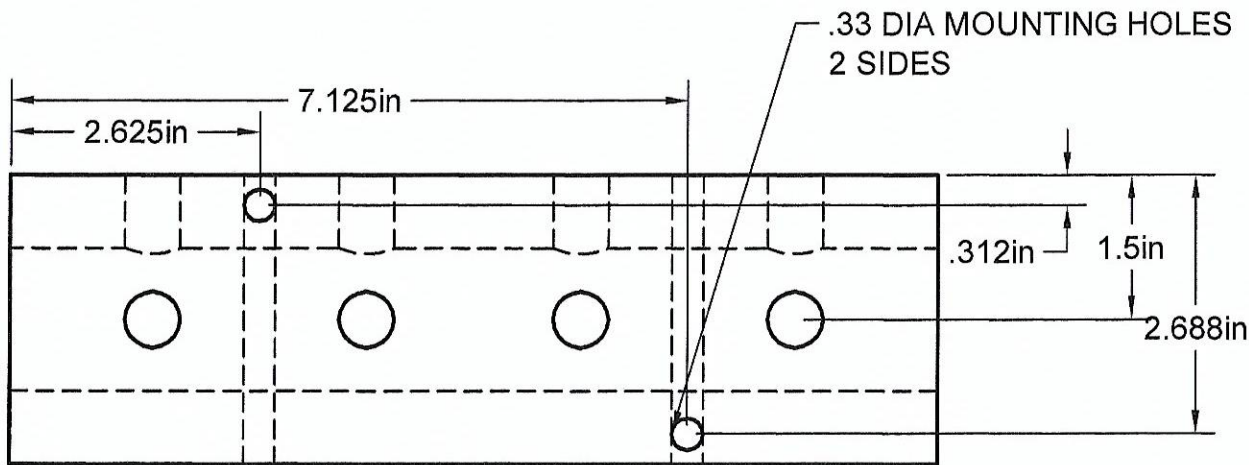
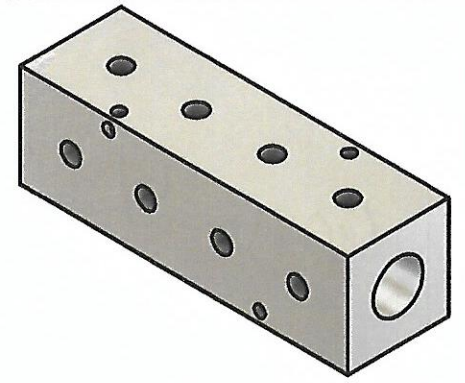
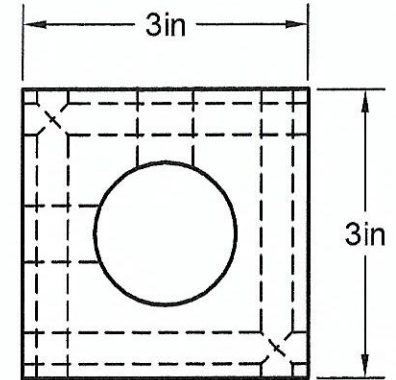


$\frac{3}{8}$ " NPT PORTS
4 PORTS @ 90° @
2.25 IN CENTERS

1 $\frac{1}{4}$ " NPT INLET
BOTH ENDS



.33 DIA MOUNTING HOLES
2 SIDES



Manifold Material: 6061-T6 Aluminum

Part Number: MS1604-90

**A1 MANIFOLD
SUPPLY**
www.a1manifolds.com

Email: sales@a1manifolds.com