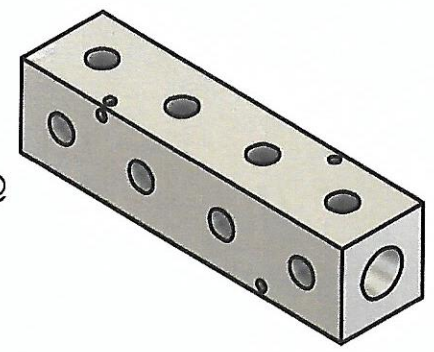
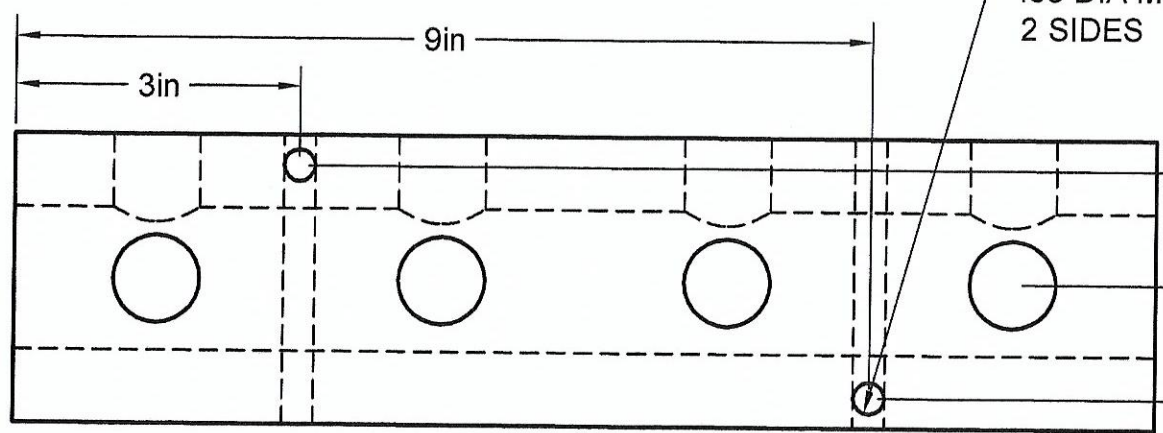
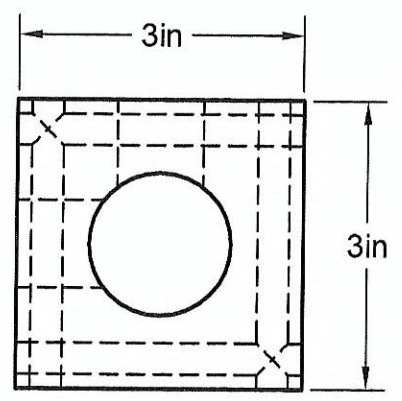


3/4" NPT PORTS
4 PORTS @ 90° @
3 IN CENTERS



1 1/4" NPT INLET
BOTH ENDS



.33 DIA MOUNTING HOLES
2 SIDES

.312in
1.5in
2.688in

Part Number:

MS1804-90



Email: sales@a1manifolds.com

Manifold Material: 6061-T6 Aluminum