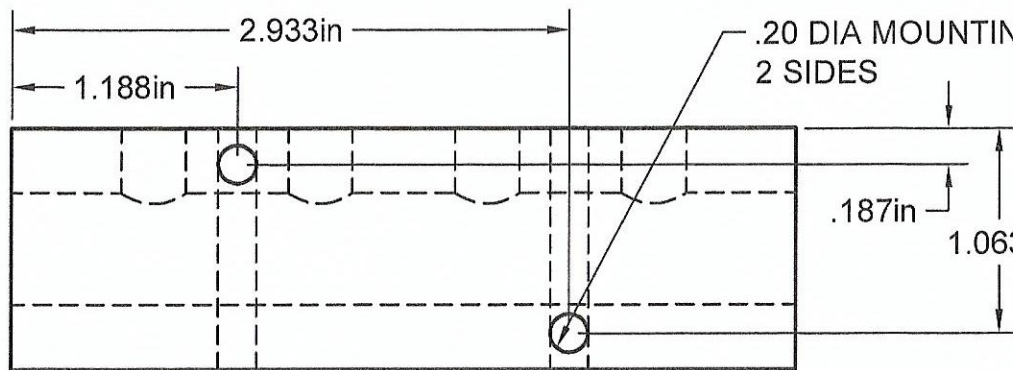
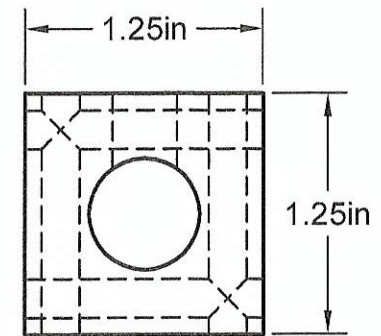
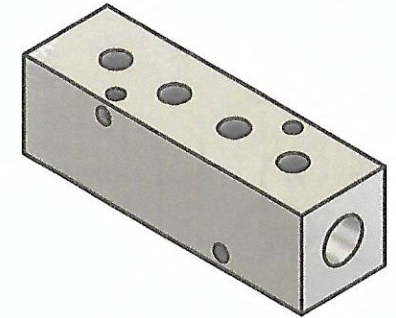


$\frac{1}{8}$ " NPT PORTS
4 PORTS @ .875 IN CENTERS

$\frac{3}{8}$ " NPT INLET
BOTH ENDS



.20 DIA MOUNTING HOLES
2 SIDES



Manifold Material: 6061-T6 Aluminum

Part Number: **MS0204**

A1 MANIFOLD SUPPLY
www.a1manifolds.com
 Email: sales@a1manifolds.com