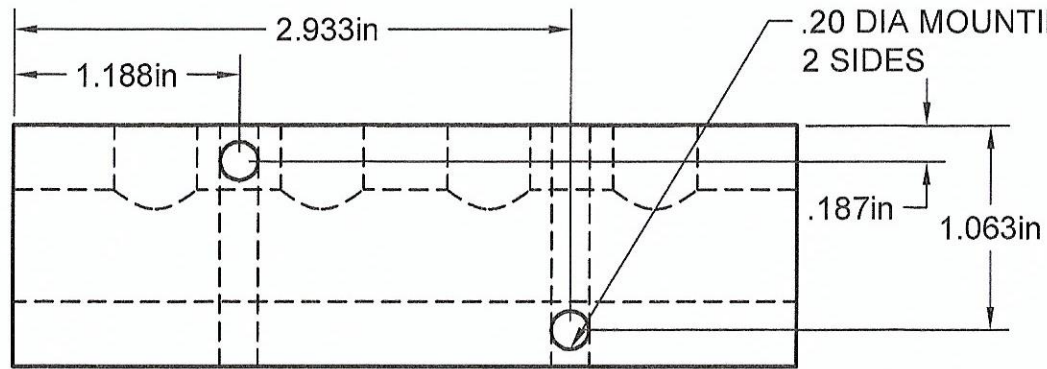
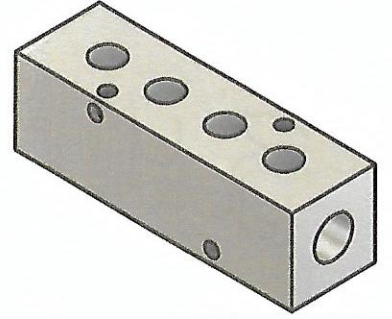
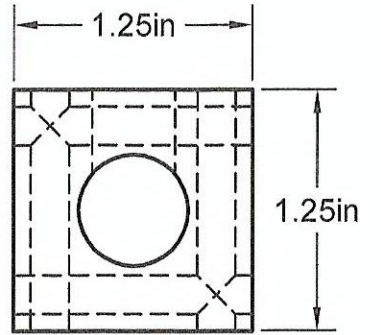


1/4" NPT PORTS  
4 PORTS @ .875 IN CENTERS

3/8" NPT INLET  
BOTH ENDS



.20 DIA MOUNTING HOLES  
2 SIDES



Manifold Material: 6061-T6 Aluminum

Part Number: MS0304

**MANIFOLD  
SUPPLY**  
www.a1manifolds.com  
Email: sales@a1manifolds.com