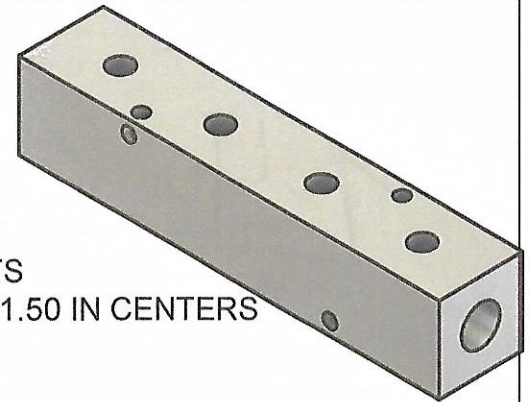
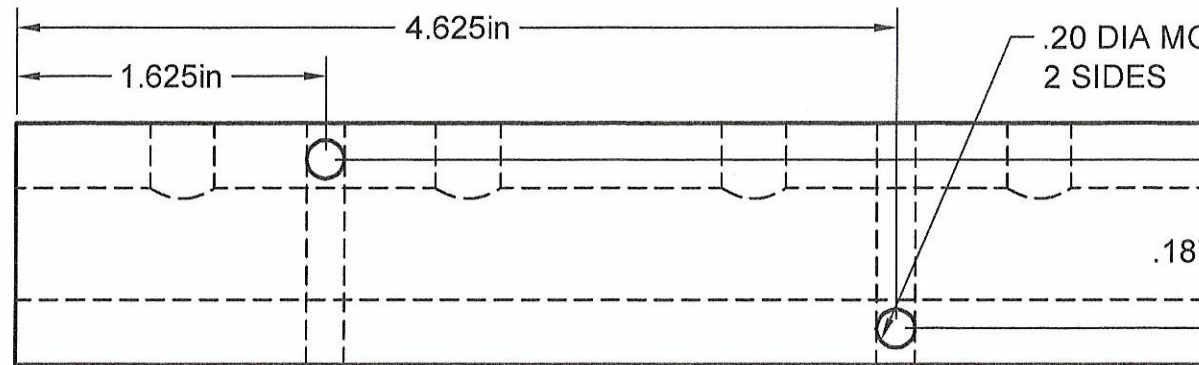


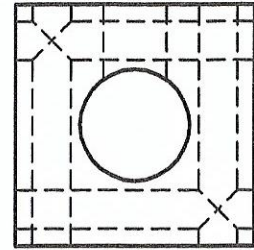
1/8" NPT PORTS
4 PORTS @ 1.50 IN CENTERS



3/8" NPT INLET
BOTH ENDS



.20 DIA MOUNTING HOLES
2 SIDES



Part Number: MS0704

**MANIFOLD
SUPPLY**
www.a1manifolds.com
Email: sales@a1manifolds.com

Manifold Material: 6061-T6 Aluminum