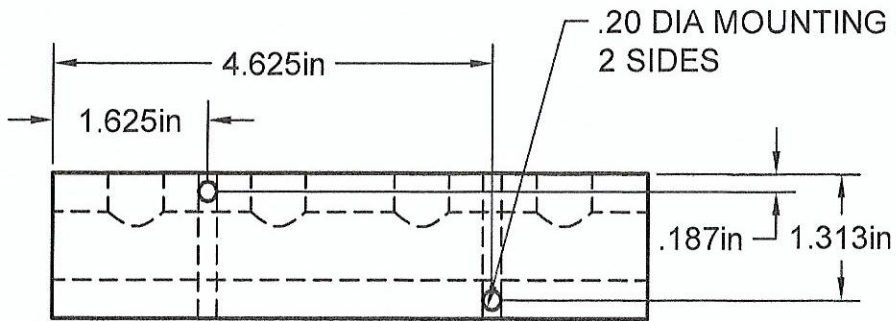
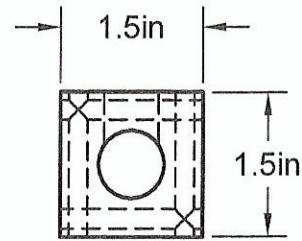
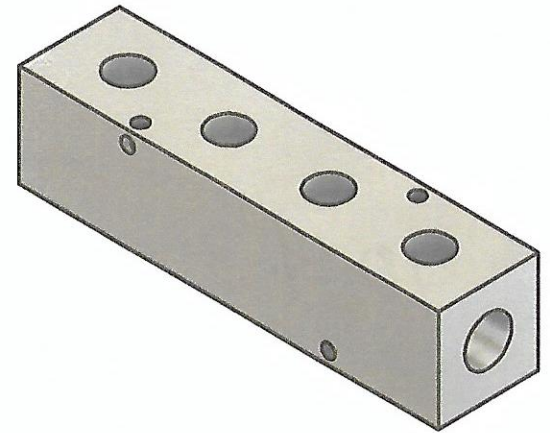


3/8" NPT PORTS  
4 PORTS @ 1.50 IN CENTERS

1/2" NPT INLET  
BOTH ENDS



.20 DIA MOUNTING HOLES  
2 SIDES

Manifold Material: 6061-T6 Aluminum

Part Number: MS1004

**A1** MANIFOLD  
SUPPLY  
www.a1manifolds.com  
Email: sales@a1manifolds.com