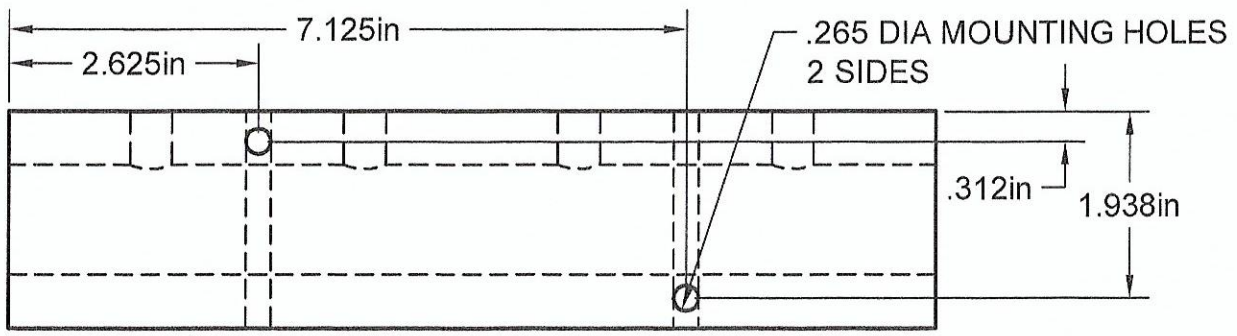
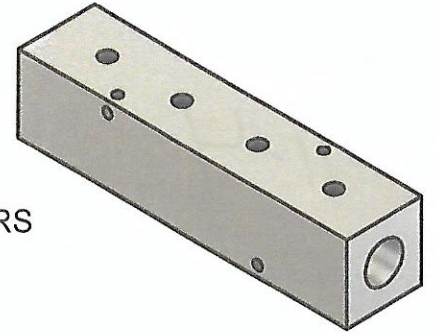
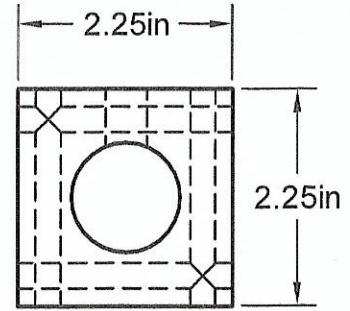


1/4" NPT PORTS
4 PORTS @ 2.25 IN CENTERS

1" NPT INLET
BOTH ENDS



.265 DIA MOUNTING HOLES
2 SIDES



Part Number: **MS1104**

A1 MANIFOLD SUPPLY
www.a1manifolds.com
 Email: sales@a1manifolds.com

Manifold Material: 6061-T6 Aluminum