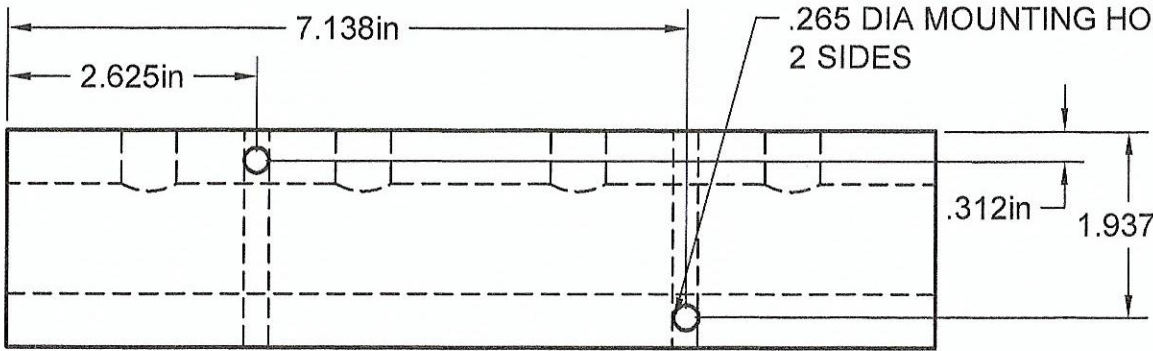
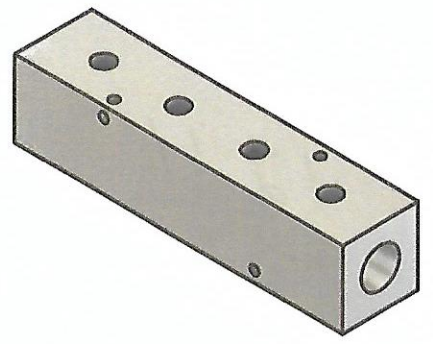


$\frac{3}{8}$ " NPT PORTS
4 PORTS @
2.25 IN CENTERS

1.125in

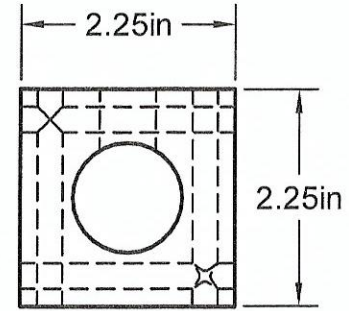
1" NPT INLET
BOTH ENDS



.265 DIA MOUNTING HOLES
2 SIDES

.312in

1.937in



Manifold Material: 6061-T6 Aluminum

Part Number: MS1204

**MANIFOLD
SUPPLY**
www.a1manifolds.com
Email: sales@a1manifolds.com