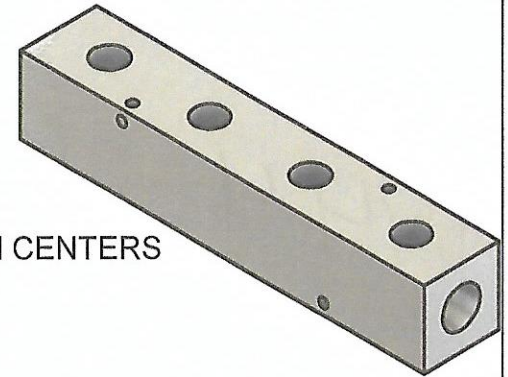
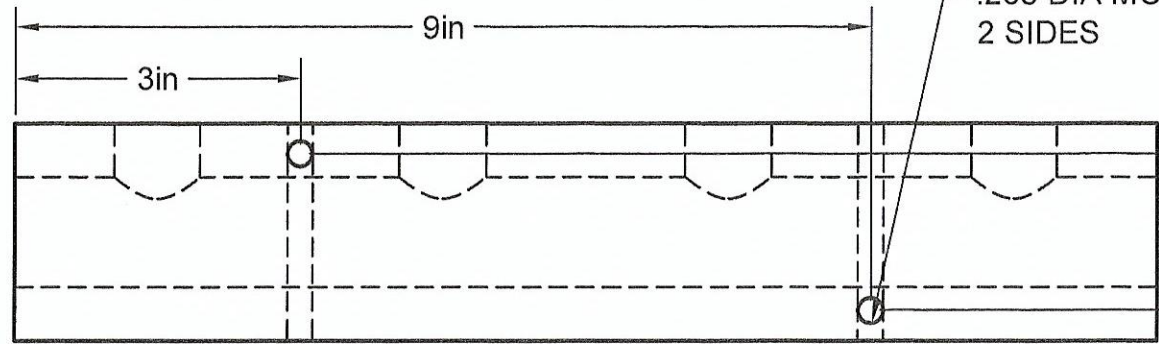


3/4" NPT PORTS  
4 PORTS @ 3 IN CENTERS



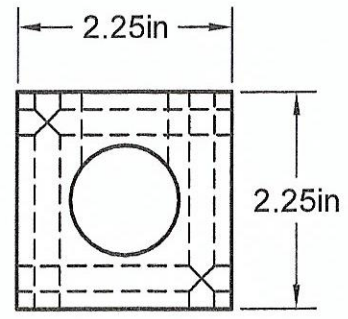
1.125in

1" NPT INLET  
BOTH ENDS



.265 DIA MOUNTING HOLES  
2 SIDES

.312in  
1.938in



Manifold Material: 6061-T6 Aluminum

Part Number:

MS1404



[www.a1manifolds.com](http://www.a1manifolds.com)

Email: [sales@a1manifolds.com](mailto:sales@a1manifolds.com)