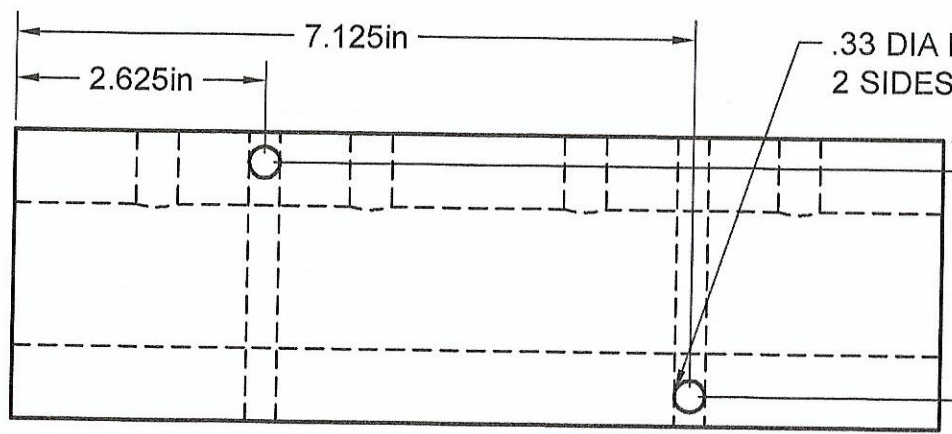
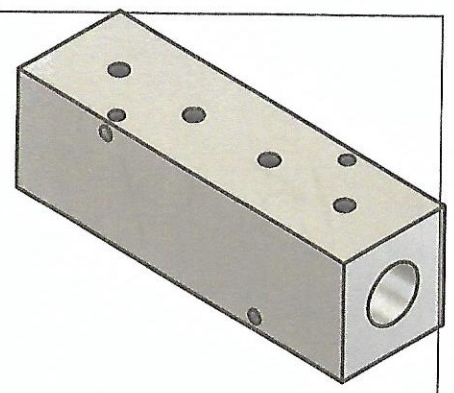
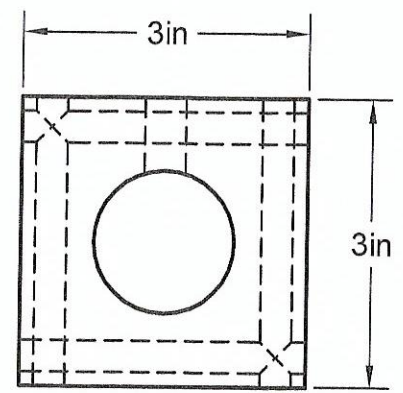


1/4" NPT PORTS  
4 PORTS @  
2.25 IN CENTERS

1 1/4" NPT INLET  
BOTH ENDS



.33 DIA MOUNTING HOLE  
2 SIDES



Part Number: MS1504

**A1 MANIFOLD SUPPLY**  
[www.a1manifolds.com](http://www.a1manifolds.com)  
 Email: [sales@a1manifolds.com](mailto:sales@a1manifolds.com)

Manifold Material: 6061-T6 Aluminum