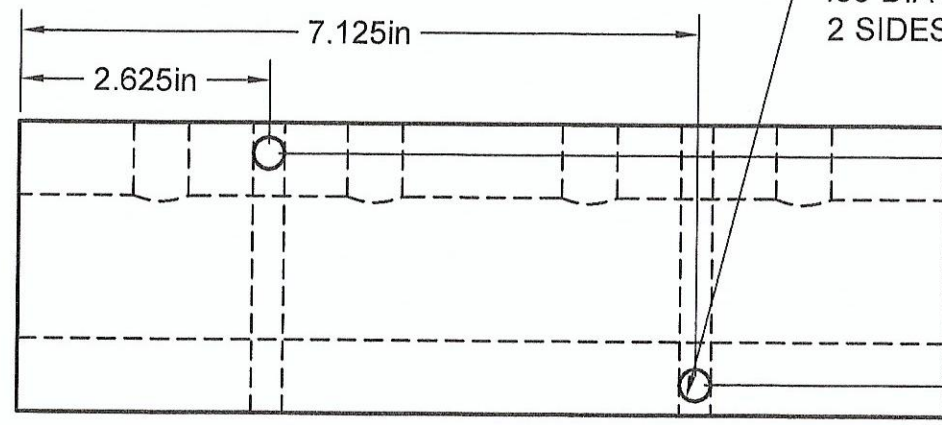
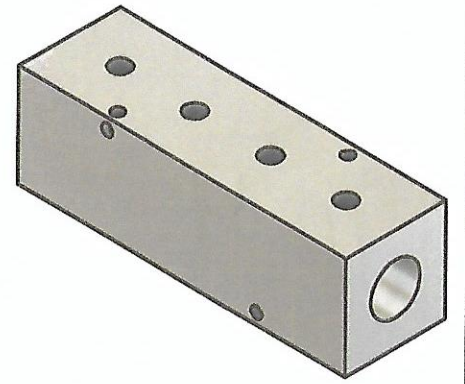
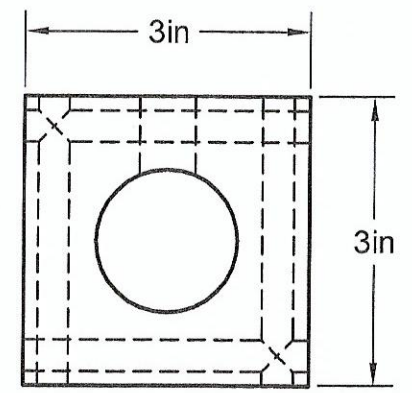


$\frac{3}{8}$ " NPT PORTS  
4 PORTS @  
2.25 IN CENTERS

1  $\frac{1}{4}$ " NPT INLET  
BOTH ENDS



.33 DIA MOUNTING HOLES  
2 SIDES



Manifold Material: 6061-T6 Aluminum

Part Number: MS1604

**MANIFOLD  
SUPPLY**  
www.a1manifolds.com  
Email: sales@a1manifolds.com