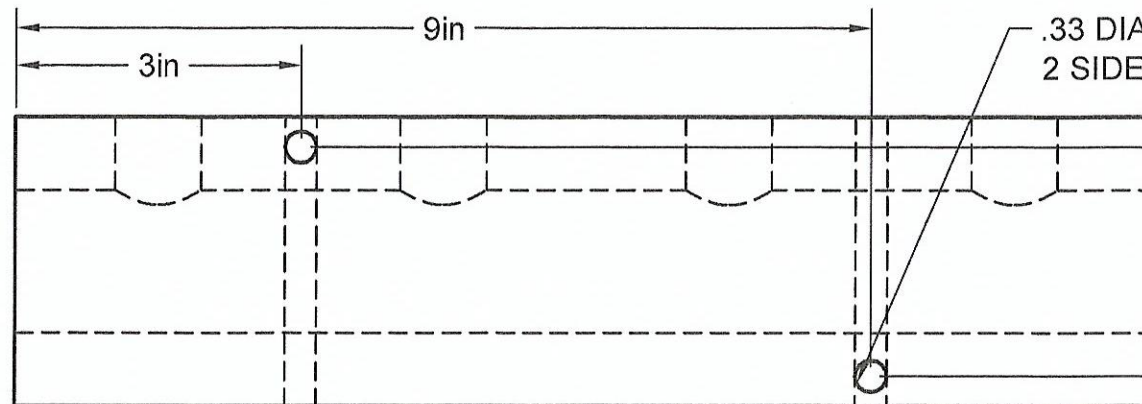
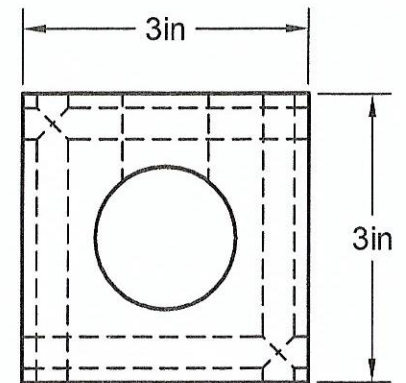


3/4" NPT PORTS
4 PORTS @
3 IN CENTERS

1.5in

1 1/4" NPT INLET
BOTH ENDS



.33 DIA MOUNTING HOLES
2 SIDES

.312in

2.688in

Part Number:

MS1804

**A1 MANIFOLD
SUPPLY**
www.a1manifolds.com

Email: sales@a1manifolds.com

Manifold Material: 6061-T6 Aluminum