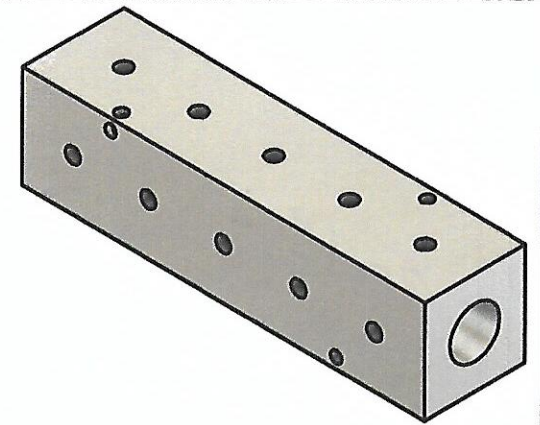
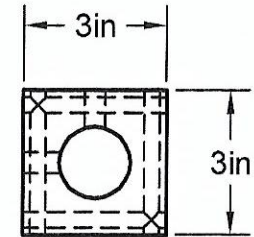
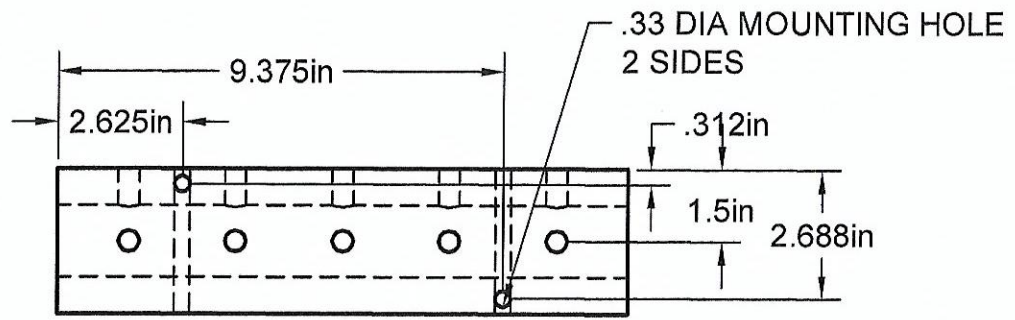


1/4" NPT INLET
5 PORTS @ 90° @ 2.25 IN CENTERS



1.5in
1 1/4" NPT INLET
BOTH ENDS



Manifold Material: 6061-T6 Aluminum

Part Number: MS1505-90

A1 MANIFOLD SUPPLY
www.a1manifolds.com
Email: sales@a1manifolds.com