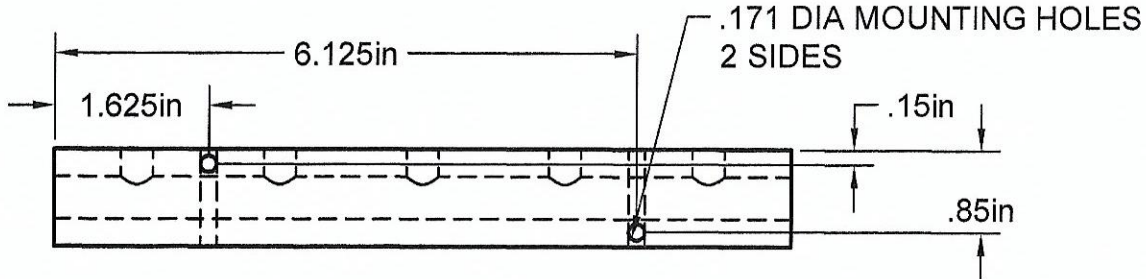
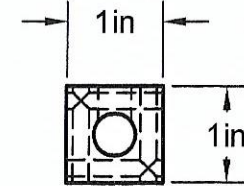
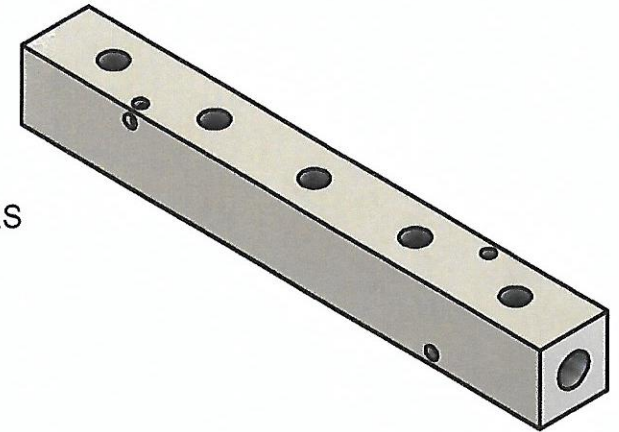


$\frac{1}{8}$ " NPT PORTS
5 PORTS @ 1.50 IN CENTERS

.5in
 $\frac{1}{4}$ " NPT INLET
BOTH ENDS



.171 DIA MOUNTING HOLES
2 SIDES

Part Number: MS0605

**A1 MANIFOLD
SUPPLY**
www.a1manifolds.com
Email: sales@a1manifolds.com

Manifold Material: 6061-T6 Aluminum