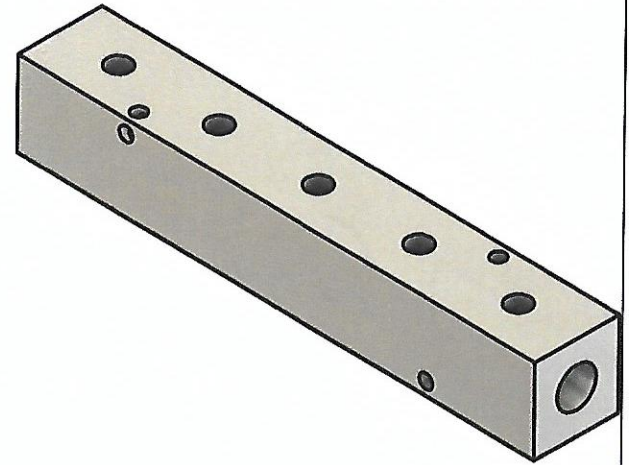
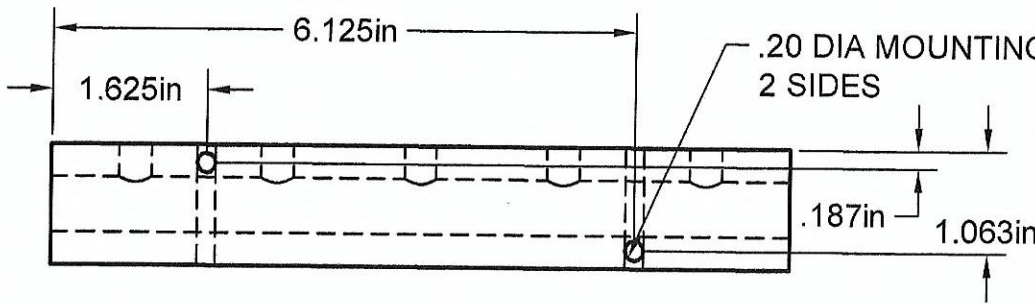


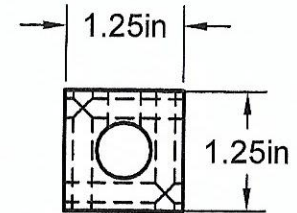
1/8" NPT PORTS
5 PORTS @
1.50 IN CENTERS



3/8" NPT INLET
BOTH ENDS



.20 DIA MOUNTING HOLES
2 SIDES



Manifold Material: 6061-T6 Aluminum

Part Number: MS0705

**MANIFOLD
SUPPLY**
www.almanifolds.com
Email: sales@a1manifolds.com