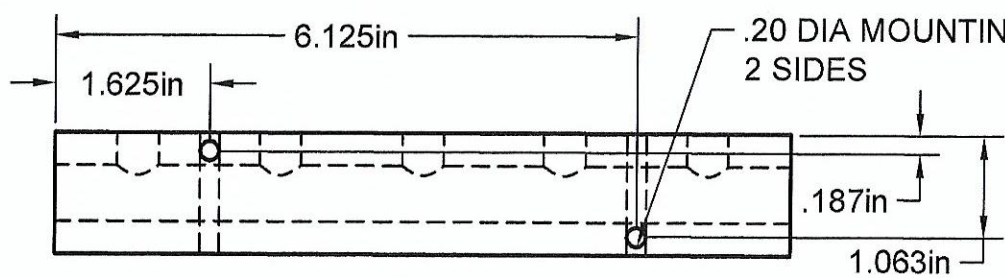
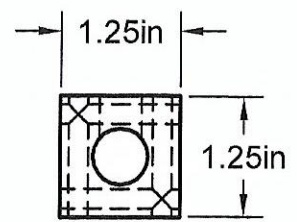
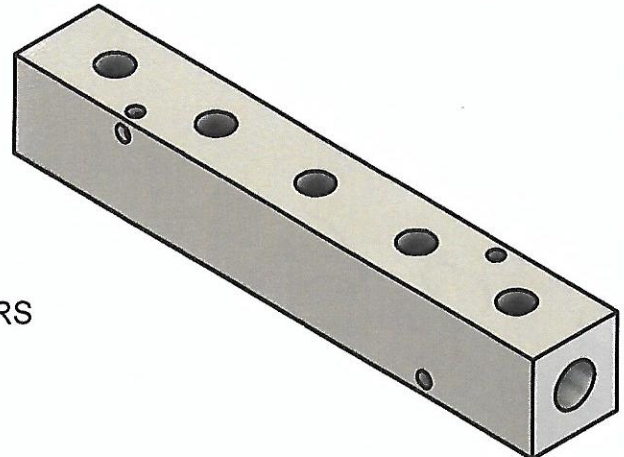


1/4" NPT PORTS
5 PORTS @ 1.50 IN CENTERS

.625in
3/8" NPT INLET
BOTH ENDS



.20 DIA MOUNTING HOLES
2 SIDES

Part Number: MS0805



Email: sales@a1manifolds.com

Manifold Material: 6061-T6 Aluminum