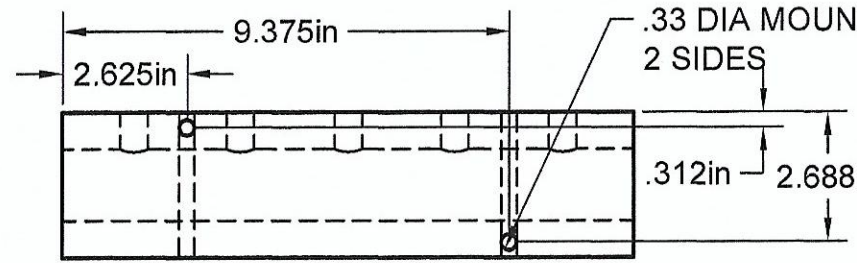
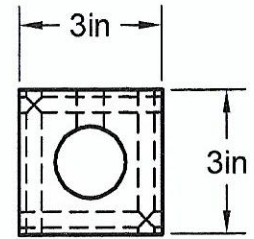
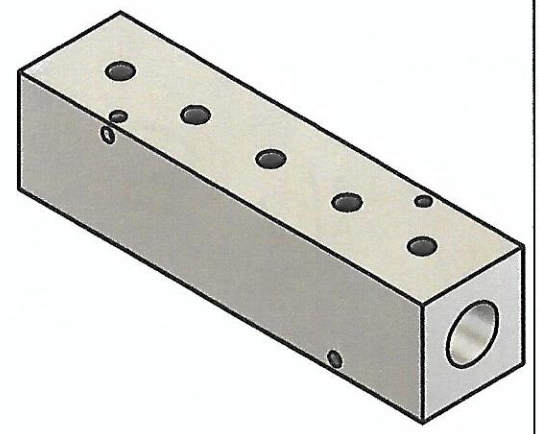


3" NPT PORTS
5 PORTS @ 2.25 IN CENTERS

1 1/4" NPT INLET
BOTH ENDS



.33 DIA MOUNTING HOLES
2 SIDES

Part Number: MS1605

**MANIFOLD
SUPPLY**
www.a1manifolds.com
Email: sales@a1manifolds.com

Manifold Material: 6061-T6 Aluminum