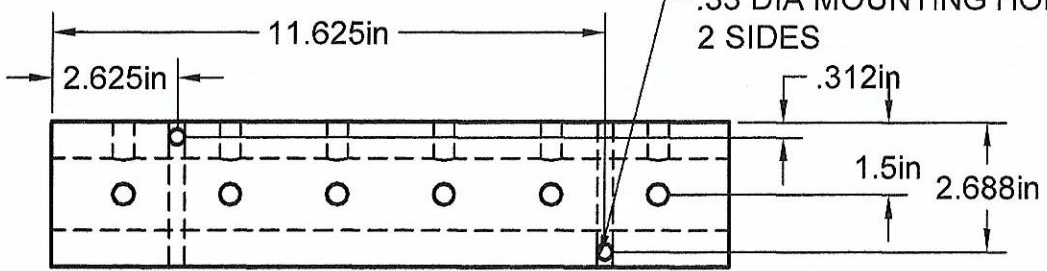
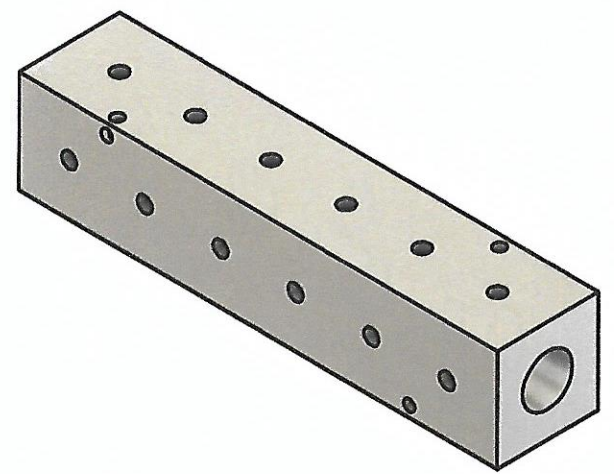


1/4" NPT PORTS
6 PORTS @ 90° @
2.25 IN CENTERS

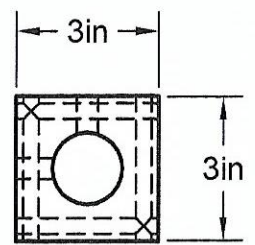
1.5in

1 1/4" NPT INLET
BOTH ENDS



.33 DIA MOUNTING HOLES
2 SIDES

.312in
1.5in
2.688in



Part Number: MS1506-90

A1 MANIFOLD SUPPLY
www.a1manifolds.com
 Email: sales@a1manifolds.com

Manifold Material: 6061-T6 Aluminum