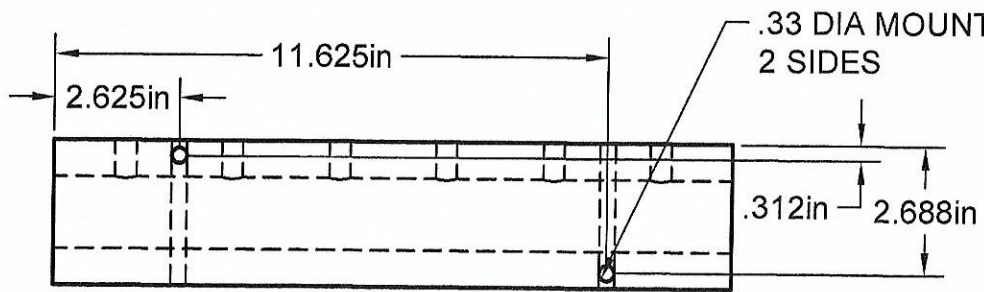
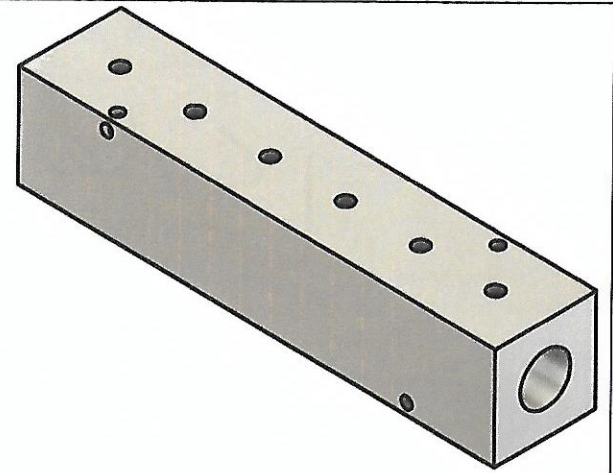
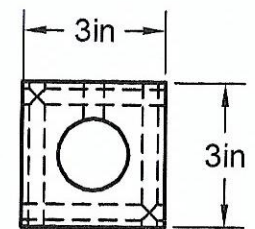


1/4" NPT PORTS
6 PORTS @ 2.25 IN CENTERS

1.5in
1 1/4" NPT INLET
BOTH ENDS



.33 DIA MOUNTING HOLES
2 SIDES



Manifold Material: 6061-T6 Aluminum

Part Number: MS1506

www.a1manifolds.com
Email: sales@a1manifolds.com