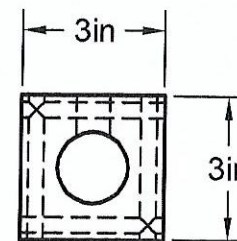
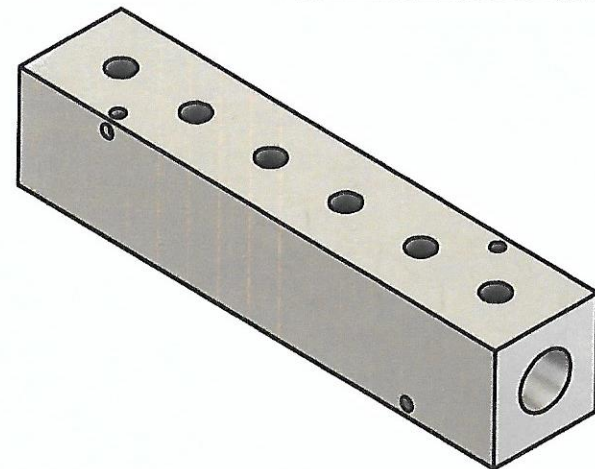
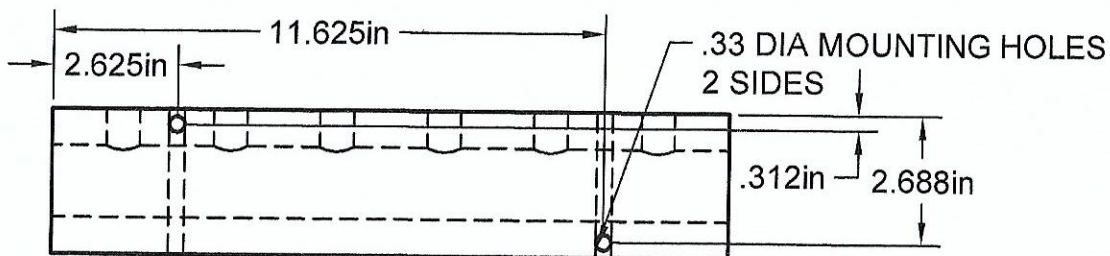


1/2" NPT PORTS  
6 PORTS @ 2.25 IN CENTERS

1 1/4" NPT INLET  
BOTH ENDS



Manifold Material: 6061-T6 Aluminum

Part Number:

MS1706



[www.a1manifolds.com](http://www.a1manifolds.com)

Email: [sales@a1manifolds.com](mailto:sales@a1manifolds.com)