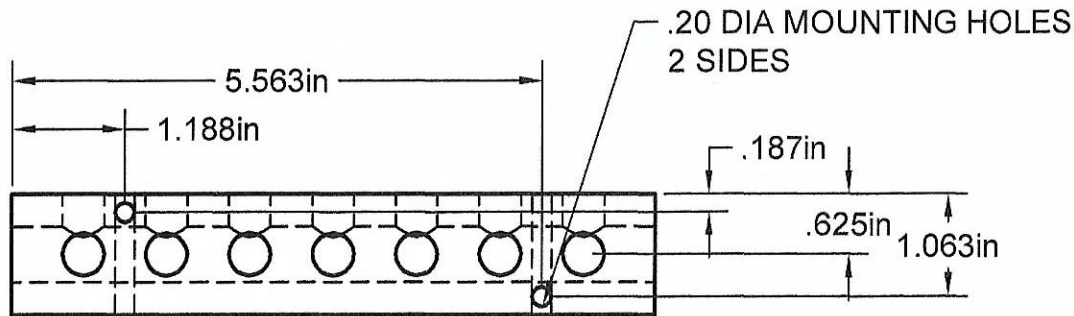
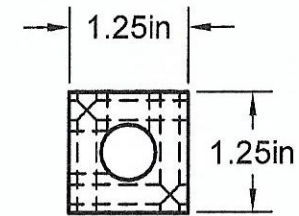
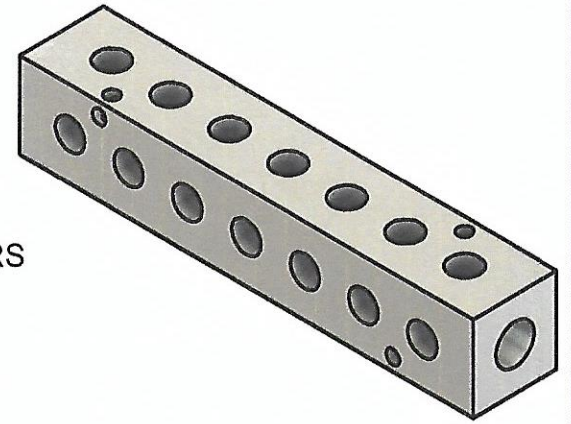


$\frac{1}{4}$ " NPT PORTS  
7 PORTS @ 90° @ .875 IN CENTERS

$\frac{3}{8}$ " NPT INLET  
BOTH ENDS



Part Number: MS0307-90

**A1 MANIFOLD SUPPLY**  
www.a1manifolds.com

Email: sales@a1manifolds.com

Manifold Material: 6061-T6 Aluminum