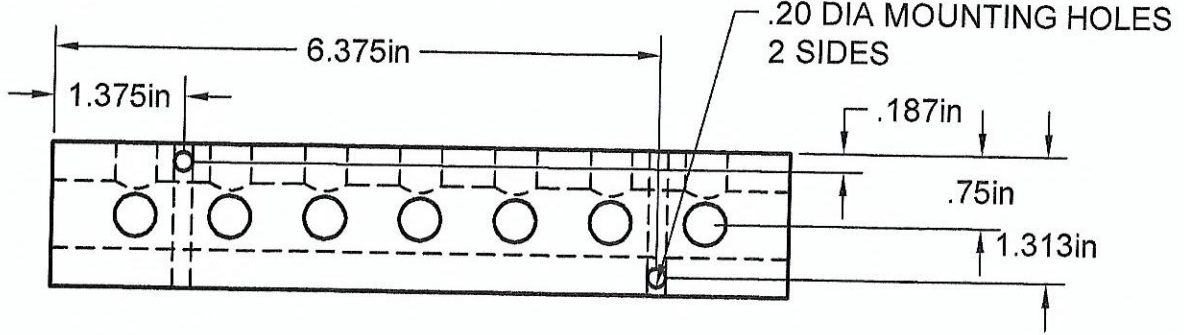
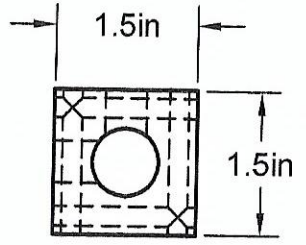
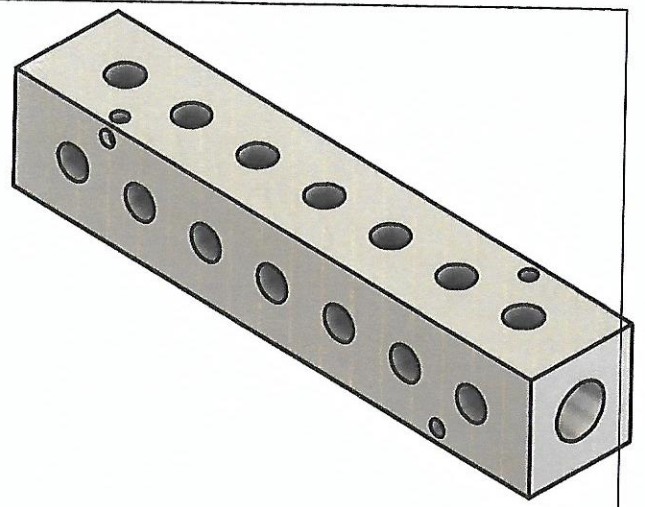


1/4" NPT PORTS
7 PORTS @ 90°
@ 1 IN CENTERS

1/2" NPT INLET
BOTH ENDS



.20 DIA MOUNTING HOLES
2 SIDES

Manifold Material: 6061-T6 Aluminum

Part Number: MS0407-90

A1 MANIFOLD SUPPLY
www.a1manifolds.com
 Email: sales@a1manifolds.com