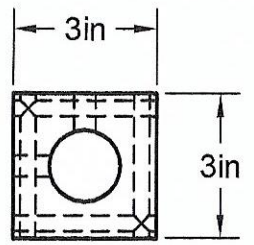
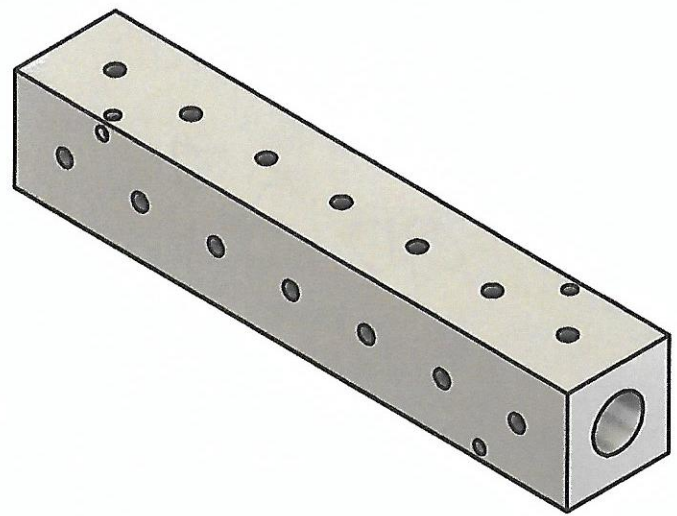
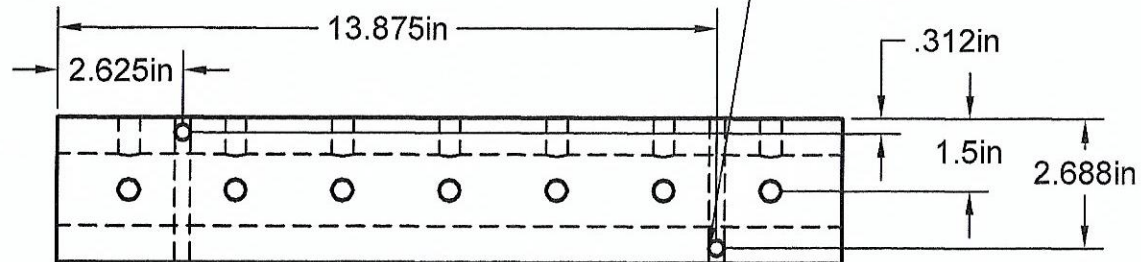


1/4" NPT PORTS
7 PORTS @ 90° @
2.25 IN CENTERS



1 1/4" NPT INLET
BOTH ENDS

.33 DIA MOUNTING HOLES
2 SIDES



Manifold Material: 6061-T6 Aluminum

Part Number: MS1507-90

A1 MANIFOLD SUPPLY
www.a1manifolds.com
 Email: sales@a1manifolds.com